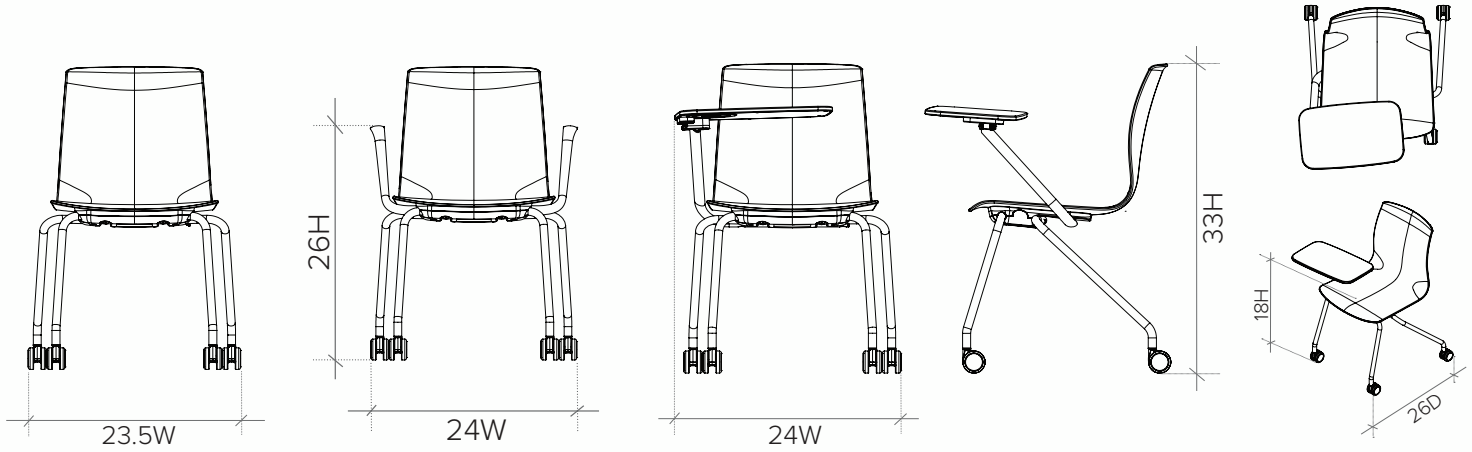


CEMPA NESTING

Specifications



*All dimensions are in inches

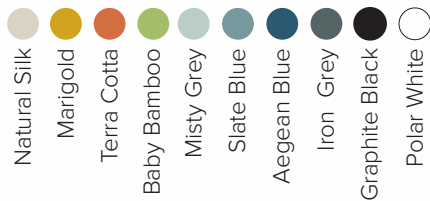


Features

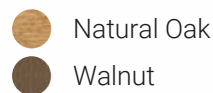
- Right-handed tablet
- Arms
- Tablet and arms can be removed and installed onsite
- Upholstered seat pad, fully upholstered, or slipcover
- Casters for hard or soft floor surfaces
- Nests armless, with arms, and with tablets



Shell Finish Options: Poly



Shell Finish Options: Wood



DAUPHIN

HumanDesign® Group



Welcome to the exciting era of modern office environments!

Discover the incredible versatility of Cempa Nesting, your ultimate solution for creating dynamic, agile, and adaptable spaces. Whether you prefer armrests or no arms—or even the practicality of an anti-panic writing tablet—Cempa Nesting has you covered. Get ready to revolutionize the way you work!

CEMPA NESTING

800-631-1186

info@dauphin.com

www.dauphin.com