

Price List

January 1, 2016

Please see inside cover for electronic updates to this price list
Effective Sept 1, 2018 please add 4.5% to price list dated January 1, 2016

DAUPHIN

Electronic Update Log

Page	Section	Change	Date
66	Little Perillo	Price Reduction	5/6/16
72	Octave Stools	Added Saddle Shaped PU Seat Version	5/6/16
88	Tec Line: Polyurethane Chair & Stool	Added Saddle Shaped PU Seat Version	5/6/16
138	Terms & Conditions	Added to Lifetime Warranty: Lighting and Electrical, 1 Year	5/6/16
2	4+	Added 4+ Relax	12/12/16
56	Entice	Added Laminate Version	12/12/16
60	HiLine	Added 90° Coffee Tables and Joining Walls	12/12/16
76	Perillo	Reduced Price of PR18125 and Added Fully Upholstered Version PR18130	12/12/16
80	Siamo	Added Siamo 4 Post Stool	12/12/16
30	Bello	Product removed	10/25/17
38	Bux	Product removed	10/25/17
70	Lordo	Desk version replaced with Lordo Flex	6/1/18
12	Ambit	Product removed	7/23/18
14	Aspetta	Product removed	7/23/18
32	Bene Bobo	Product removed	7/23/18
36	Buster Bobo	Product removed	7/23/18
74	Open End	Product removed	7/23/18
34	Bobo	Bobo3140 removed	7/30/18
135	Finishes	Colors removed from eddy finishes	10/24/18

Table of Contents

MODEL	TYPE	PAGE
4+	Lounge	Page 2
Adjust	Swivel	Page 4
Aiko	Swivel	Page 6
Aleta	Lounge	Page 8
Alterno	Lounge	Page 10
Ambit	DISCONTINUED	Page 12
Aspetta	DISCONTINUED	Page 14
Atelier	Lounge	Page 16
Axiom	Table - Occasional & Cafe	Page 18
Basis I, Syncro I, Contour I	Swivel	Page 20
Basis II, Syncro II, Contour II	Swivel	Page 22
Bello	DISCONTINUED	Page 30
Bene Bobo	DISCONTINUED	Page 32
Bobo Benches and Ottoman	Lounge	Page 34
Baby Bobo	Lounge	Page 35
Buster Bobo	DISCONTINUED	Page 36
Bux	DISCONTINUED	Page 38
City Clubx	Lounge	Page 40
Coty Benches	Lounge	Page 42
Cubitt	Lounge	Page 44
Eddy	Swivel, Side	Page 46
Eddy - Beam Seating	Beam	Page 24
Egbert	Lounge	Page 54
Entice	Table - Occasional	Page 56
Highway	Swivel, Side	Page 58
HiLine	Lounge	Page 60
Join Me	Side, Nesting	Page 62
Junxion	Lounge	Page 102
Lacinta	Swivel	Page 64
Little Perillo	Swivel, Side	Page 66
Logan	Swivel, Side	Page 68
Logan - Beam Seating	Beam	Page 26
Lordo	Swivel, Side	Page 70
Lordo - Beam Seating	Beam	Page 27
Octave Stools	Stool	Page 72
Open End	DISCONTINUED	Page 74
Perillo	Lounge	Page 76
Riola	Swivel	Page 78
Siamo	Swivel, Side	Page 80
Siamo - Beam Seating	Beam	Page 28
Sidney	Lounge	Page 82
Speed-o	Swivel	Page 84
Strata	Side	Page 86
Tec Line	Swivel	Page 88
Teo	Swivel, Side	Page 94
Teo - Beam Seating	Beam	Page 29
Tiffany	Table - Occasional	Page 96
Visita	Swivel, Side	Page 98
X-Code	Swivel	Page 100
Upholstery Materials		Page 128
Multi-Fabric Specifications		Page 131
COM/COL Form		Page 133
Finishes		Page 135
Arms for Task Chairs		Page 137
Terms and Conditions		Page 138

Effective Sept 1, 2018 please add 4.5% to price list dated January 1 2016



FP7011 & FP7021

Shown with Optional Two Color Upholstery



FP7061CST

Shown with Optional Two Color Upholstery



FP7086 & FP7086OTTO

Shown with Optional FP7086NC Neck Cushion

Model #	Description	A/COM	B	C/COL	D	E	F	G	H	I	J/LEA
4+ RELAX											
FP7086	4+ Relax Recline Chair with Auto Rotation Return and 4 Star Base	\$2945	3039	3226	3414	3601	3789	3976	4164	4351	4539
FP7086NC	Neck Cushion (optional) for FP7086	\$295	305	325	345	365	385	405	425	445	465
FP7086OTTO	Swivel Ottoman with Auto Return and 4 Star Base	\$1395	1416	1459	1501	1544	1586	1629	1671	1714	1756
Dimensions:											
FP7086											
Seat	22.5W x 21D x 16H										
Back	31H										
Overall	27.5W x 31D										
FP7086OTTO	27W x 20D x 14H										
LOUNGE AND CONFERENCE											
FP7011	Swivel Lounge Chair with Auto Rotation Return and 4 Star Base	\$1695	1750	1860	1970	2080	2190	2300	2410	2520	2630
FP7061CST	Swivel Conference Chair with 5 Star Base with Casters	\$1695	1750	1860	1970	2080	2190	2300	2410	2520	2630
FP7021	Swivel Ottoman with Auto Rotation Return and 4 Star Base	\$1395	1416	1459	1501	1544	1586	1629	1671	1714	1756
Dimensions:											
FP7011											
- Seat	27W x 20D x 16H										
- Back	27W x 17H										
FP7061CST											
- Seat	27W x 20D x 14-18H										
- Back	27W x 17H										
FP7021	27W x 20D x 14H										

Effective Sept 1, 2018 please add 4.5% to price list dated January 1, 2016

STANDARD SPECIFICATIONS

	Description
Seat & Back	High Density Molded Polyurethane Foam
Upholstery for 4+ Relax and Related Ottoman	Single Color Upholstery
Upholstery for Lounge, Conference and Relax and Related Ottoman	Single Color Upholstery, with option for Multiple Colors - see Optional Specifications below
Column	Polished Metal
Base	Polished Metal
Glides (for 4 Star Base Versions)	Nylon Glides for Soft Surface
Casters (for 5 Star Base Versions)	Hard Wheel Free Rolling Casters for Soft Surface
Function:	
- Auto Rotation Return	Chair Direction Returns to Same Orientation After User Leaves the Chair
- 4+ Relax	Swivel with Back Tilt Recline Mechanism, Lockable in any Position, with Auto Rotation Return
- Neck Cushion	Height Adjustable Using a Loose Gravity Weighted Belt Looped Over the Backrest
- Lounge Chairs	Swivel with Auto Rotation Return
- Conference Chairs	Swivel with Height Adjustment and with Casters for Mobility
- Ottoman	Swivel with Auto Rotation Return

OPTIONAL SPECIFICATIONS

	Description	Price
Multiple Color Upholstery for Versions Other than 4+ Relax and Related Ottoman	Front of Chair 1st Color, Rear and Outsides of Chair, 2nd Color	nc
	Extra Charge per Each Additional Fabric	\$125
Hard Floor Casters	Soft Wheel Braking Casters for Hard Floor	\$35
Hard Floor Glides	Soft Surface Glides for Hard Floor	\$35
Cal 1.33 Fire Code	Fire Barrier Applied Under the Upholstery	+ 20%

COM/COL

	COM	COL
	Yard	Square Feet
FP7086, Single Color	4.00	72
FP7086NC, Single Color	0.50	9
FP7086OTTO, Single Color	1.00	18
FP7011	See Page 132	
FP7061CST	See Page 132	
FP7021	See Page 132	

ADJUST

Effective Sept 1, 2018 please add 4.5% to price list dated January 1 2016



AJ14800

Shown with Optional DA27WA Arms



AJ14500T

Model #	Description	A/COM	B	C/COL	D	E	F	G	H	I	J/LEA
TASK CHAIR AND STOOL											
AJ14800	Task Chair - Tall Back	\$699	724	774	824	874	924	974	1024	1074	1124
AJ14500M	Medium Stool	\$819	844	894	944	994	1044	1094	1144	1194	1244
AJ14500T	Tall Stool	\$839	864	914	964	1014	1064	1114	1164	1214	1264
Optional	Upholstery Over the Poly Shell	\$80	86	97	108	119	130	141	152	163	174

Dimensions:

Seat - Task Chair	19W x 18D x 16-21H
Seat - Medium Stool	19W x 18D x 19-26H
Seat - Tall Stool	19W x 18D x 23-32H
Back - Task Chair Tall Back	18W x 23-26H
Back - Stool	18W x 20-23H
Base:	27 Diameter

Effective Sept 1, 2018 please add 4.5% to price list dated January 1, 2016

STANDARD SPECIFICATIONS

	Description
Back	Rectilinear, Flexible & Height Adjustable with Lumbar Support & Poly Outer Back Shell
Seat	Contoured Seat with Waterfall Front Edge
Integrated Sliding Seat	Provides 3" Range of Seat Depth Adjustment
Syncro-Quickshift® Mechanism	Seat and Back Move in Unison to Provide Continuous Lumbar Support, While One Small Turn of the Knob Ensures Optimum Comfort for a Wide Range of Body Weights. Variable Back Lock & Integrated Sliding Seat Standard
Footring for Stool Version	Polished 20" Diameter with Simple Rotation/Lock for Height Variation of Footring
Base	Black Nylon 5 Star Base
Carpet Casters	Hard Wheel Free Rolling Casters for Soft Surface

OPTIONAL SPECIFICATIONS

	Description	Price
DA27WA Arms	Adjusts Height and Width, Black Stem, Soft Durable PU Pads	\$140
DA74WA-100 Arms	Adjusts Height and Width. Pad Pivots Forward, Back and Rotates 30°, Polished Stem, Soft Durable PU Pads	\$255
Base	Polished Aluminum 5 Star Base	\$135
Hard Floor Casters	Soft Wheel Braking Casters for Hard Floor	\$35
Carpet Glides	Nylon Glides for Carpet Surface	\$20
Cal 133 Fire Code	Fire Barrier Applied Under the Upholstery	+20%

COM/COL

COM/COL		COM	COL
		Yard	Square Feet
Seat only	All Models	.75	14
Back only	Poly Outer Shell Version	.75	14
Complete Chair	Poly Outer Shell Version	1.10	20
Back only	Upholstered Outer Shell Version	1.00	18
Complete Chair	Upholstered Outer Shell Version	1.75	32

Effective Sept 1, 2018 please add 4.5% to price list dated January 1 2016



AK79220

Shown with Optional DA27WA Arms and Polished Metal Base



AK79620

Shown with Optional DA27WA Arms



AK79500M

Model #	Description	A/COM	B	C/COL	D	E	F	G	H	I	J/LEA
TASK CHAIR - MID BACK											
AK79100	Poly Membrane Back	\$619	634	664	694	724	754	784	814	844	874
AK79220	Mesh Back with Adjustable Lumbar	\$659	674	704	734	764	794	824	854	884	914
MEDIUM STOOL - MID BACK											
AK79100M	Poly Membrane Back	\$739	754	784	814	844	874	904	934	964	994
AK79220M	Mesh Back with Adjustable Lumbar	\$779	794	824	854	884	914	944	974	1004	1034
TALL STOOL - MID BACK											
AK79100T	Poly Membrane Back	\$759	774	804	834	864	894	924	954	984	1014
AK79220T	Mesh Back with Adjustable Lumbar	\$799	814	844	874	904	934	964	994	1024	1054
TASK CHAIR - TALL BACK											
AK79500	Poly Membrane Back	\$619	634	664	694	724	754	784	814	844	874
AK79620	Mesh Back with Adjustable Lumbar	\$659	674	704	734	764	794	824	854	884	914
MEDIUM STOOL - TALL BACK											
AK79500M	Poly Membrane Back	\$739	754	784	814	844	874	904	934	964	994
AK79620M	Mesh Back with Adjustable Lumbar	\$779	794	824	854	884	914	944	974	1004	1034
TALL STOOL - TALL BACK											
AK79500T	Poly Membrane Back	\$759	774	804	834	864	894	924	954	984	1014
AK79620T	Mesh Back with Adjustable Lumbar	\$799	814	844	874	904	934	964	994	1024	1054
Option	Fully Upholstered Back Pad on Poly with Adjustable Lumbar	\$80	90	110	130	150	170	190	210	230	250

Dimensions:
 Seat - Task Chair 19W x 19D x 16-21H
 Seat - Medium Stool 19W x 19D x 19-26H
 Seat - Tall Stool 19W x 19D x 23-32H
 Mid Back: 18W x 20H
 Tall Back: 18W x 23H
 Base: 27 Diameter

Effective Sept 1, 2018 please add 4.5% to price list dated January 1, 2016

STANDARD SPECIFICATIONS

Description

Poly Back	Black Poly Membrane
Mesh Back	Soft Knit Mesh. See Page 136
Adjustable Lumbar	3" Range of Adjustment
Seat	Contoured Seat with Waterfall Front Edge
Integrated Sliding Seat	Provides 4" Range of Seat Depth Adjustment
Synchro-Quickshift® Mechanism	Seat and Back Move in Unison to Provide Continuous Lumbar Support, While One Small Turn of the Knob Ensures Optimum Comfort for a Wide Range of Body Weights. Variable Back Lock and Integrated Sliding Seat Standard
Footring for Stool Version	Polished 20" Diameter with Simple Rotation/Lock for Height Variation of Footring
Base	Black Nylon 5 Star Base
Carpet Casters	Hard Wheel Free Rolling Casters for Soft Surface

OPTIONAL SPECIFICATIONS

Description

Price

DA27WA Arms	Adjusts Height and Width, Black Stem, Soft Durable PU Pads	\$140
DA74WA-100 Arms	Adjusts Height and Width, Pad Pivots Forward, Back and Rotates 30°, Polished Stem, Soft Durable PU Pads	\$255
Base	Polished Aluminum 5 Star Base	\$135
Hard Floor Casters	Soft Wheel Braking Casters for Hard Floor	\$35
Carpet Glides	Nylon Glides for Carpet Surface	\$20
Cal 1.33 Fire Code	For Mesh Back Models Only	+ 20%

COM/COL

COM

COL

		Yard	Square Feet
Seat	All Versions	.75	14
Complete Chair	Mesh Back Version	.75	14
Complete Chair	Poly Back Version with Upholstered Back Pad	1.25	23

Effective Sept 1, 2018 please add 4.5% to price list dated January 1 2016



AA15201

Model #	Description	A/COM	B	C/COL	D	E	F	G	H	I	J/LEA
CHAIR AND SOFAS											
AA15201	Single Seat Lounge Chair	\$1895	2033	2308	2583	2858	3133	3408	3683	3958	4233
AA15202	Two Seat Sofa	\$2995	3164	3501	3839	4176	4514	4851	5189	5526	5864
AA15203	Three Seat Sofa	\$4045	4258	4683	5108	5533	5958	6383	6808	7233	7658
OTTOMAN AND BENCHES											
AA15160	Ottoman	\$1045	1075	1135	1195	1255	1315	1375	1435	1495	1555
AA15260	Two Seat Bench	\$1525	1590	1720	1850	1980	2110	2240	2370	2500	2630
AA15360	Three Seat Bench	\$2015	2125	2345	2565	2785	3005	3225	3445	3665	3885
BENCHES WITH ARMS											
AA15270	Two Seat Bench with Arms	\$1765	1855	2035	2215	2395	2575	2755	2935	3115	3295
AA15370	Three Seat Bench with Arms	\$2255	2390	2660	2930	3200	3470	3740	4010	4280	4550
BENCHES WITH ARMS AND TABLE											
AA15370/61/CST	Two Seat Bench, Arms & Customer's Own Table Top	\$2255	2390	2660	2930	3200	3470	3740	4010	4280	4550
AA15370/61/GLS	Two Seat Bench, Arms & Glass Table	\$2605	2740	3010	3280	3550	3820	4090	4360	4630	4900
AA15370/61/GRN	Two Seat Bench, Arms & Granite Table	\$3955	4090	4360	4630	4900	5170	5440	5710	5980	6250
BENCHES WITH TABLE											
AA15360/61/CST	Two Seat Bench & Customer's Own Table Top	\$2015	2125	2345	2565	2785	3005	3225	3445	3665	3885
AA15360/61/GLS	Two Seat Bench & Glass Table Top	\$2365	2475	2695	2915	3135	3355	3575	3795	4015	4235
AA15360/61/GRN	Two Seat Bench & Granite Table Top	\$3715	3825	4045	4265	4485	4705	4925	5145	5365	5585
TABLES											
AA15161/ CST	Square Table & Customer's Own Table Top	\$1045	1075	1135	1195	1255	1315	1375	1435	1495	1555
AA15161/ GLS	Square Table & Glass Top	\$1395	1425	1485	1545	1605	1665	1725	1785	1845	1905
AA15161/ GRN	Square Table & Granite Top	\$2745	2775	2835	2895	2955	3015	3075	3135	3195	3255
AA15261/ CST	Rectangular Table & Customer's Own Table Top	\$1525	1590	1720	1850	1980	2110	2240	2370	2500	2630
AA15261/ GLS	Rectangular Table & Glass Top	\$2125	2190	2320	2450	2580	2710	2840	2970	3100	3230
AA15261/ GRN	Rectangular Table & Granite Top	\$3225	3290	3420	3550	3680	3810	3940	4070	4200	4330

Dimensions: See COM/COL section

Effective Sept 1, 2018 please add 4.5% to price list dated January 1, 2016

STANDARD SPECIFICATIONS

	Description
Construction	Full Panel Box Construction Using CARB Compliant Plywood. Superior Construction Passes GSA Heavy Duty Furniture Test FNAE-80-214A. Full Panel Box for Seat Back and Arms Allows Incorporation of Power and Other Accessories
Loose Seat Cushions	Inner Spring Cushion Construction
Polished Metal Legs	Rectangular Polished Metal Legs

OPTIONAL SPECIFICATIONS

	Description	Price
Writing Tablet	16" Diameter Black Textured Foil Surface Rotates 360° Standard on Right Unless Specified	\$315
Integrated Cup Holder	Polished Metal. Standard on Left Arm or on Arm Opposite Writing Tablet Unless Specified	\$85
Wood Arm Cap	For Wood Finishes See Page 137	\$145
Fixed Seat Cushions	Single Seat Lounge Chair	\$60
	Two Seat Sofa	\$75
	Three Seat Sofa	\$95
Square Stitch Upholstery	On Front of Back	\$120
Contrasting Seat Fabric	Select Fabric/Leather Different from Back & Arms	\$125
Power and Data	See Page 127	
Casters	Available for Single Seat Models Only	\$95
Ganging Connector Set	To Gang Two Units	\$95
Cal 133 Fire Code	Fire Barrier Applied Under the Upholstery	+20%

COM/COL/DIMENSIONS

		COM	COL	Dimensions (in Inches)				
		Yard	Square Feet	Seat Width	Arm Height from Floor	Back Height from Floor	Total Width	Total Depth
AA15201	Complete	5.50	99	21	23	30	32	29
	Arms and Back	4.50	81					
	Seat Cushion	1.20	22					
AA15202	Complete	7.20	130	42	23	30	53	29
	Arms and Back	5.50	99					
	Seat Cushion	2.20	40					
AA15203	Complete	9.00	162	63	23	30	74	29
	Arms and Back	6.50	117					
	Seat Cushion	2.90	52					
AA15160	Complete	2.30	41	21			21	21
	Seat Box	1.00	18					
	Seat Cushion	1.70	31					
AA15260	Complete	3.75	68	42			42	21
	Seat Box	1.70	31					
	Seat Cushion	2.25	41					
AA15360	Complete	5.25	95	63			63	21
	Seat Box	2.50	45					
	Seat Cushion	3.20	58					
AA15270	Complete	5.60	101	42	23		53	21
	Seat Box & Arms	3.60	65					
	Seat Cushion	2.30	41					
AA15370	Complete	7.00	126	63	23		74	21
	Seat Box & Arms	4.50	81					
	Seat Cushion	3.20	58					
AA15370/61	Complete	6.00	108	63	23		74	21
	Seat Box & Arms	4.50	81					
	Seat Cushion	2.30	41					
AA15360/61	Complete	4.00	72	63			63	21
	Seat Box	2.25	41					
	Seat Cushion	2.30	41					
AA15161	Complete	1.00	18	21			21	21
AA15261	Complete	2.00	36	42			42	21

All seats are 21"D x 17"H

Effective Sept 1, 2018 please add 4.5% to price list dated January 1 2016



AL2100
Shown with Optional Integrated
Wood Arm Table

Model #	Description	A/COM	B	C/COL	D	E	F	G	H	I	J/LEA
AL2100	Multifunctional Open Arm Chair	\$1895	1985	2165	2345	2525	2705	2885	3065	3245	3425

Dimensions:

Seat	18W x 18D x 17H
Back	22W x 14H
Overall	34W x 28D x 32H

Effective Sept 1, 2018 please add 4.5% to price list dated January 1, 2016

STANDARD SPECIFICATIONS

	Description
Open Arm	Enables Multiple Sitting Positions and/or Use as a Table When Wood Arm Table is Incorporated
Auto Return Mechanism	Chair Returns to Original Orientation After Use
Base	Polished Aluminum

OPTIONAL SPECIFICATIONS

	Description	Price
Wood Arm Table	Integrated Into Arm Surface For Wood Finishes See Page 137	\$245
Cal 133 Fire Code	Fire Barrier Applied Under the Upholstery	+ 20%

COM/COL

	COM	COL
	Yard	Square Feet
AL2100	3.50	63

Effective Sept 1, 2018 please add 4.5% to price list dated January 1 2016

DISCONTINUED

Effective Sept 1, 2018 please add 4.5% to price list dated January 1, 2016

DISCONTINUED

Effective Sept 1, 2018 please add 4.5% to price list dated January 1 2016

DISCONTINUED

Effective Sept 1, 2018 please add 4.5% to price list dated January 1, 2016

DISCONTINUED

Effective Sept 1, 2018 please add 4.5% to price list dated January 1 2016



AR6500/48/53

Model #	Description	A/COM	B	C/COL	D	E	F	G	H	I	J/LEA
48" WIDE UNITS											
AR6500/48	Bench	\$1495	1572	1727	1881	2036	2190	2345	2499	2654	2808
AR6500/48/35	Sofa with 35" High Walls	\$3995	4249	4758	5266	5775	6283	6792	7300	7809	8317
AR6500/48/53	Sofa with 53" High Walls	\$4695	4949	5458	5966	6475	6983	7492	8000	8509	9017
72" WIDE UNITS											
AR6500/72	Bench	\$1995	2104	2321	2539	2756	2974	3191	3409	3626	3844
AR6500/72/35	Sofa with 35" High Walls	\$4895	5232	5906	6580	7254	7928	8602	9276	9950	10624
AR6500/72/53	Sofa with 53" High Walls	\$5895	6232	6906	7580	8254	8928	9602	10276	10950	11624
OPTIONS											
Additional Back Pillows	Price per Each	\$245	265	305	345	385	425	465	505	545	585
Fixed Seat Cushions	Not Removable	\$85									

Direction of Fabric

RAILROAD - [See Page 133](#)

Dimensions:

COM/COL Section

Effective Sept 1, 2018 please add 4.5% to price list dated January 1, 2016

STANDARD SPECIFICATIONS

	Description
Construction	Full Panel Using CARB Compliant Plywood
Loose Seat Cushions	Inner Spring Cushion Construction
Back Pillows	2 Pillows for 48" Wide Units 3 Pillows for 72" Wide Units
Legs	Polished Metal Rectangular Legs
Upholstery Options	Different Fabrics can be Used For: - Walls - Seat Box & Cushions = "Seat" (Always Same Fabric) - Backrest Pillows
Upholstery Direction	RAILROADED for Best Fit and Utilization. At Special Request can be Applied Off The Roll but This Could Add up to 25% to Fabric Requirement A SOLID NON DIRECTIONAL Fabric is Recommended for the Walls. The Horizontal Stitching Lines will not be Applied for Fabric with Stripes or Pattern that Runs the Same Direction or Conflicts with the Stitching Lines.

OPTIONAL SPECIFICATIONS

	Description	Price
Power and Data	See Page 127	
Ganging Connector Set	To Gang Two Units	\$95
Cal 133 Fire Code	Fire Barrier Applied Under the Upholstery	+ 20%
Leather	Walls not Available in Leather	

COM/COL/DIMENSIONS

		COM	COM	COM	Dimensions (in Inches)			
		Walls	Cushions & Box	Back Pillows	Width	Depth	Seat Height from Floor	Wall Height from Floor
		Yd	Yd	Yd				
48" Wide Units								
AR6500/48	Bench		3.80		48.00	30.00	17.00	
AR6500/48/35	Sofa with 35" Walls	8.00	3.00	2.00	50.00	31.00	17.00	35.00
AR6500/48/53	Sofa with 53" Walls	8.00	3.00	2.00	50.00	31.00	17.00	53.00
72" Wide Units								
AR6500/72	Bench		6.00		72.00	30.00	17.00	
AR6500/72/35	Sofa with 35" Walls	10.00	4.50	3.00	74.00	31.00	17.00	35.00
AR6500/72/53	Sofa with 53" Walls	10.00	4.50	3.00	74.00	31.00	17.00	53.00

Effective Sept 1, 2018 please add 4.5% to price list dated January 1 2016



AX30D/OH



AX30D/LH



AX30D/BH

Model #	Description	Glass	MDF
OCCASIONAL HEIGHT 17"			
AX2424SH/OH	24" x 24" Shaped Soft Corner	\$645	845
AX30D/OH	30" Diameter Round	\$645	845
AX36D/OH	36" Diameter Round	\$745	945
AX42D/OH	42" Diameter Round	\$845	1045
AX4830SH/OH	48" x 30" Shaped Soft Corner	\$945	1145
LOUNGE HEIGHT 26"			
AX2424SH/LH	24" x 24" Shaped Soft Corner	\$745	945
AX30D/LH	30" Diameter Round	\$745	945
AX36D/LH	36" Diameter Round	\$845	1045
AX42D/LH	42" Diameter Round	\$945	1145
AX4830SH/LH	48" x 30" Shaped Soft Corner	\$1,045	1245
AX7236/LH	72" x 36" Rectangular	\$1,995	
DESK HEIGHT 29"			
AX2424SH/DH	24" x 24" Shaped Soft Corner	\$745	945
AX30D/DH	30" Diameter Round	\$745	945
AX36D/DH	36" Diameter Round	\$845	1045
AX42D/DH	42" Diameter Round	\$945	1145
AX4830SH/DH	48" x 30" Shaped Soft Corner	\$1,045	1245
AX7236/DH	72" x 36" Rectangular	\$1,995	
COUNTER HEIGHT 35"			
AX2424SH/CH	24" x 24" Shaped Soft Corner	\$845	1045
AX30D/CH	30" Diameter Round	\$845	1045
BAR HEIGHT 42"			
AX2424SH/BH	24" x 24" Shaped Soft Corner	\$845	1045
AX30D/BH	30" Diameter Round	\$845	1045

Effective Sept 1, 2018 please add 4.5% to price list dated January 1, 2016

STANDARD SPECIFICATIONS

	Description
Glass Tops	1/2" Thick Clear Tempered Safety Glass with Beveled Edge
MDF Tops	1.25" CARB Particle Board with Eco-Seal Surface and Undercut Knife Edge MDF Colors: Select Black 20 or White 42
Column	Polished Metal
Base	Polished Aluminum X Base

OPTIONAL SPECIFICATIONS

	Description	Price
White Back Painted Glass Tops	Check Lead Time with Customer Service	+ 15%
Other Color Back Painted Glass Tops	Check Color, Price and Lead Time with Customer Service	
5 Star Base with Casters	With Free Rolling Carpet Casters	\$125
5 Star Base with Casters	With Soft Wheel Braking Casters for Hard Floor Note: 5 Star Base and Casters add 3" to Table Height Lounge Height with Casters is Approximately Desk Height	\$160
Tulip Base - Polished	With Polished Column	\$250 per base (all tables have 1 base except 72 x 36 has 2 bases)
Tulip Base - White	With White Column	\$400 per base (all tables have 1 base except 72 x 36 has 2 bases)
Tulip Jury Base - Polished	Requires Installation on Site	\$100

BASIS I/SYNCR0 I/CONTOUR I

Effective Sept 1, 2018 please add 4.5% tax to all prices effective January 1 2016



CT2340N

Shown with Optional OM42WA Arms

Model #	Description	A/COM	B	C/COL	D	E	F	G	H	I	J/LEA
MEDIUM BACK TASK CHAIR											
BL1310N	Basis	\$649	670	711	752	793	835	876	917	958	1000
BL1300N	Basis with Seat Tilt	\$749	770	811	852	893	935	976	1017	1058	1100
SL1350N	Syncro	\$799	820	861	902	943	985	1026	1067	1108	1150
CT2320N	Contour	\$879	900	941	982	1023	1065	1106	1147	1188	1230
Dimensions:											
Seat	19W x 18D x 16-21H										
Back	16W x 16-19H										
Overall	27W x 27D										
TALL BACK TASK CHAIR											
BL1410N	Basis	\$699	722	767	813	859	904	950	996	1041	1087
BL1400N	Basis with Seat Tilt	\$799	822	867	913	959	1004	1050	1096	1141	1187
SL1450N	Syncro	\$849	872	917	963	1009	1054	1100	1146	1191	1237
CT2340N	Contour	\$929	952	997	1043	1089	1134	1180	1226	1271	1317
Dimensions:											
Seat	19W x 18D x 16-21H										
Back	16W x 22-25H										
Overall	27W x 27D										
MEDIUM BACK STOOL											
Medium Height											
BL1310-660N	Basis Medium Stool	\$769	790	831	872	913	955	996	1037	1078	1120
BL8328-660N	Basis Medium Stool with Seat Tilt	\$869	890	931	972	1013	1055	1096	1137	1178	1220
SL1358-660N	Syncro Medium Stool	\$919	940	981	1022	1063	1105	1146	1187	1228	1270
CT2328-660N	Contour Medium Stool	\$999	1020	1061	1102	1143	1185	1226	1267	1308	1350
Tall Height											
BL1310-680N	Basis Tall Stool	\$789	810	851	892	933	975	1016	1057	1098	1140
BL8388N	Basis Tall Stool with Seat Tilt	\$889	910	951	992	1033	1075	1116	1157	1198	1240
SL1358-680N	Syncro Tall Stool	\$939	960	1001	1042	1083	1125	1166	1207	1248	1290
CT2388-680N	Contour Tall Stool	\$1019	1040	1081	1122	1163	1205	1246	1287	1328	1370
Dimensions:											
Seat - Medium Stool	19W x 18D x 19-26H										
Seat - Tall Stool	19W x 18D x 23-32H										
Back	16W x 24-27H										
Overall	27W x 27D										

BASIS I/SYNCRO I/CONTOUR I

Effective Sept 1, 2018 please add 4.5% to price list dated January 1, 2016

STANDARD SPECIFICATIONS

	Description
Height Adjustable Back	Provides 3" Adjustment Range for Back & Lumbar
Footring for Stool Version	Polished 20" Diameter with Simple Rotation/Lock for Height Variation of Footring
Base	Black Nylon 5 Star Base
Carpet Casters	Hard Wheel Free Rolling Casters for Soft Surface

OPTIONAL SPECIFICATIONS

	Description	Price
HA2 Arms	Adjusts 4" In Height Black Stem, Soft Durable PU Pads	\$145
OM42WA Arms	Adjusts 4" in Height and Width Black Stem Soft Durable PU Pads	\$205
Sliding Seat	Syncro Version Only	\$95
Base	Polished Aluminum 5 Star Base	\$135
Hard Floor Casters	Soft Wheel Braking Casters for Hard Floor	\$35
Carpet Glides	Nylon Glides for Carpet Surface	\$20
Contrasting Fabric	Different Fabric for Seat and Back	\$35

COM/COL

COM/COL		COM	COL
		Yard	Square Feet
Seat Only	All Models	1.00	18
Back Only	Medium Back	1.00	18
Complete Chair	Complete Chair with Medium Back	1.10	20
Back Only	Tall Back	1.00	18
Complete Chair	Complete Chair with Tall Back	1.25	23

BASIS II/SYNCRO II/CONTOUR II

Effective Sept 1, 2018 please add 4.5% to prices list dated January 1, 2016



BL1400P

Shown with Optional OM42WA Arms & Polished Metal Base

Model #	Description	A/COM	B	C/COL	D	E	F	G	H	I	J/LEA
MEDIUM BACK TASK CHAIR											
BL1310P	Basis	\$699	723	770	817	865	912	959	1006	1054	1101
BL1300P	Basis with Seat Tilt	\$799	823	870	917	965	1012	1059	1106	1154	1201
SL1350P	Syncro	\$849	873	920	967	1015	1062	1109	1156	1204	1251
CT2320P	Contour	\$929	953	1000	1047	1095	1142	1189	1236	1284	1331
Dimensions:											
Seat	19W x 18D x 16-21H										
Back	19W x 20-23H										
Overall	27W x 27D										
TALL BACK TASK CHAIR											
BL1410P	Basis	\$749	775	828	881	934	987	1039	1092	1145	1198
BL1400P	Basis with Seat Tilt	\$849	875	928	981	1034	1087	1139	1192	1245	1298
SL1450P	Syncro	\$899	925	978	1031	1084	1137	1189	1242	1295	1348
CT2340P	Contour	\$979	1005	1058	1111	1164	1217	1269	1322	1375	1428
Dimensions:											
Seat	19W x 18D x 16-21H										
Back	19W x 24-27H										
Overall	27W x 27D										
MEDIUM BACK STOOL											
Medium Height											
BL1310-660P	Basis Medium Stool	\$819	843	890	937	985	1032	1079	1126	1174	1221
BL1300-660P	Basis Medium Stool with Seat Tilt	\$919	943	990	1037	1085	1132	1179	1226	1274	1321
SL1350-660P	Syncro Medium Stool	\$969	993	1040	1087	1135	1182	1229	1276	1324	1371
CT2320-660P	Contour Medium Stool	\$1049	1073	1120	1167	1215	1262	1309	1356	1404	1451
Tall Height											
BL1310-680P	Basis Tall Stool	\$839	863	910	957	1005	1052	1099	1146	1194	1241
BL1300-680P	Basis Tall Stool with Seat Tilt	\$939	963	1010	1057	1105	1152	1199	1246	1294	1341
SL1350-680P	Syncro Tall Stool	\$989	1013	1060	1107	1155	1202	1249	1296	1344	1391
CT2320-680P	Contour Tall Stool	\$1069	1093	1140	1187	1235	1282	1329	1376	1424	1471
Dimensions:											
Seat - Medium Stool	19W x 18D x 19-26H										
Seat - Tall Stool	19W x 18D x 23-32H										
Back	19W x 24-27H										
Overall	27W x 27D										

BASIS II/SYNCRO II/CONTOUR II

Effective Sept 1, 2018 please add 4.5% to price list dated January 1, 2016

STANDARD SPECIFICATIONS

	Description
Height Adjustable Back	Provides 3" Adjustment Range for Back & Lumbar
Footring for Stool Version	Polished 20" Diameter with Simple Rotation/Lock for Height Variation of Footring
Base	Black Nylon 5 Star Base
Carpet Casters	Hard Wheel Free Rolling Casters for Soft Surface

OPTIONAL SPECIFICATIONS

	Description	Price
HA2 Arms	Adjusts 4" In Height Black Stem, Soft Durable PU Pads	\$145
OM42WA Arms	Adjusts 4" in Height and Width Black Stem, Soft Durable PU Pads	\$205
Sliding Seat	Syncro Version Only	\$95
Base	Polished Aluminum 5 Star Base	\$135
Hard Floor Casters	Soft Wheel Braking Casters for Hard Floor	\$35
Carpet Glides	Nylon Glides for Carpet Surface	\$20
Contrasting Fabric	Different Fabric for Seat and Back	\$35

COM/COL

COM/COL		COM	COL
		Yard	Square Feet
Seat Only	All Models	1.00	18
Back Only	Medium Back	1.00	18
Complete Chair	Complete Chair with Medium Back	1.20	22
Back Only	Tall Back	1.00	18
Complete Chair	Complete Chair with Tall Back	1.30	23

BEAM SEATING - EDDY

Effective Sept 1, 2018 please add 4.5% to price list dated January 1 2016



ED4502B3S2C

Model #	Description	A/COM	B	C/COL	D	E	F	G	H	I	J/LEA
POLY SEAT AND BACK											
ED4500B3S3	3 Seats No Arms	\$1662									
ED4502B3S3	3 Seats Shared Arms	\$1827									
ED4500B3S2C	2 Seats No Arms Center Table	\$1558									
ED4502B3S2C	2 Seats Shared Arms Center Table	\$1668									
ED4500B3S2E	2 Seats No Arms End Table	\$1558									
ED4502B3S2E	2 Seats Shared Arms End Table	\$1668									
ED4500B5S5	5 Seats No Arms	\$2770									
ED4502B5S5	5 Seats Shared Arms	\$3045									
ED4500B5S4C	4 Seats No Arms Center Table	\$2666									
ED4502B5S4C	4 Seats Shared Arms Center Table	\$2886									
ED4500B3S4E	4 Seats No Arms End Table	\$2666									
ED4502B3S4E	4 Seats Shared Arms End Table	\$2886									
UPHOLSTERED SEAT PAD/POLY BACK											
ED4510B3S3	3 Seats No Arms	\$1902	1947	2037	2127	2217	2307	2397	2487	2577	2667
ED4512B3S3	3 Seats Shared Arms	\$2067	2112	2202	2292	2382	2472	2562	2652	2742	2832
ED4510B3S2C	2 Seats No Arms Center Table	\$1718	1748	1808	1868	1928	1988	2048	2108	2168	2228
ED4512B3S2C	2 Seats Shared Arms Center Table	\$1828	1858	1918	1978	2038	2098	2158	2218	2278	2338
ED4510B3S2E	2 Seats No Arms End Table	\$1718	1748	1808	1868	1928	1988	2048	2108	2168	2228
ED4512B3S2E	2 Seats Shared Arms End Table	\$1828	1858	1918	1978	2038	2098	2158	2218	2278	2338
ED4510B5S5	5 Seats No Arms	\$3170	3245	3395	3545	3695	3845	3995	4145	4295	4445
ED4512B5S5	5 Seats Shared Arms	\$3445	3520	3670	3820	3970	4120	4270	4420	4570	4720
ED4510B5S4C	4 Seats No Arms Center Table	\$2986	3046	3166	3286	3406	3526	3646	3766	3886	4006
ED4512B5S4C	4 Seats Shared Arms Center Table	\$3206	3266	3386	3506	3626	3746	3866	3986	4106	4226
ED4510B5S4E	4 Seats No Arms End Table	\$2986	3046	3166	3286	3406	3526	3646	3766	3886	4006
ED4512B5S4E	4 Seats Shared Arms End Table	\$3206	3266	3386	3506	3626	3746	3866	3986	4106	4226

BEAM SEATING - EDDY

Effective Sept 1, 2018 please add 4.5% to price list dated January 1, 2016

Model #	Description	A/COM	B	C/COL	D	E	F	G	H	I	J/LEA
UPHOLSTERED SEAT AND BACK PADS ON POLY											
ED4520B3S3	3 Seats No Arms	\$2112	2180	2315	2450	2585	2720	2855	2990	3125	3260
ED4522B3S3	3 Seats Shared Arms	\$2277	2345	2480	2615	2750	2885	3020	3155	3290	3425
ED4520B3S2C	2 Seats No Arms Center Table	\$1858	1903	1993	2083	2173	2263	2353	2443	2533	2623
ED4522B3S2C	2 Seats Shared Arms Center Table	\$1968	2013	2103	2193	2283	2373	2463	2553	2643	2733
ED4520B3S2E	2 Seats No Arms End Table	\$1858	1903	1993	2083	2173	2263	2353	2443	2533	2623
ED4522B3S2E	2 Seats Shared Arms End Table	\$1968	2013	2103	2193	2283	2373	2463	2553	2643	2733
ED4520B5S5	5 Seats No Arms	\$3520	3633	3858	4083	4308	4533	4758	4983	5208	5433
ED4522B5S5	5 Seats Shared Arms	\$3795	3908	4133	4358	4583	4808	5033	5258	5483	5708
ED4520B5S4C	4 Seats No Arms Center Table	\$3266	3356	3536	3716	3896	4076	4256	4436	4616	4796
ED4522B5S4C	4 Seats Shared Arms Center Table	\$3486	3576	3756	3936	4116	4296	4476	4656	4836	5016
ED4520B5S4E	4 Seats No Arms End Table	\$3266	3356	3536	3716	3896	4076	4256	4436	4616	4796
ED4522B5S4E	4 Seats Shared Arms End Table	\$3486	3576	3756	3936	4116	4296	4476	4656	4836	5016

STANDARD SPECIFICATIONS

STANDARD SPECIFICATIONS		Description
Seat - Eddy		See "Eddy" on page 46
Table		20W x 18D in Black Textured Laminate Foil
OVERALL BEAM DIMENSIONS		
Seat Height - All Models:	17.5H	
Width and Depth:		
3 Postion Beam:		
Eddy	66W x 25D	
5 Position Beam:		
Eddy	108W x 25D	
Back to Back Connection	Overall 51D	

OPTIONAL SPECIFICATIONS

OPTIONAL SPECIFICATIONS	Description	Price
End to End Connection	To Connect 2 Sets of Beam Seating End To End	\$125
Back to Back Connection	To Connect 2 Sets of Beam Seating Back to Back	\$125

BEAM SEATING - LOGAN

Effective Sept 1, 2018 please add 4.5% to price list dated January 1 2016



LG81800B3S3

Model #	Description	A/COM	B	C/COL	D	E	F	G	H	I	J/LEA
RAISED MESH BACK											
LN81800B3S3	3 Seats	\$2880	2918	2993	3068	3143	3218	3293	3368	3443	3518
LN81800B3S2C	2 Seats Center Table	\$3030	3068	3143	3218	3293	3368	3443	3518	3593	3668
LN81800B3S2E	2 Seats End Table	\$3030	3068	3143	3218	3293	3368	3443	3518	3593	3668
LN81800B5S5	5 Seats	\$4800	4863	4988	5113	5238	5363	5488	5613	5738	5863
LN81800B5S4C	4 Seats Center Table	\$4950	5013	5138	5263	5388	5513	5638	5763	5888	6013
LN81800B5S4E	4 Seats End Table	\$4950	5013	5138	5263	5388	5513	5638	5763	5888	6013
FULLY UPHOLSTERED BACK											
LN81885B3S3	3 Seats	\$2940	3030	3210	3390	3570	3750	3930	4110	4290	4470
LN81885B3S2C	2 Seats Center Table	\$3090	3180	3360	3540	3720	3900	4080	4260	4440	4620
LN81885B3S2E	2 Seats End Table	\$3090	3180	3360	3540	3720	3900	4080	4260	4440	4620
LN81885B5S5	5 Seats	\$4900	5050	5350	5650	5950	6250	6550	6850	7150	7450
LN81885B5S4C	4 Seats Center Table	\$5050	5200	5500	5800	6100	6400	6700	7000	7300	7600
LN81885B5S4E	4 Seats End Table	\$5050	5200	5500	5800	6100	6400	6700	7000	7300	7600

STANDARD SPECIFICATIONS

Description

Logan	See "logan" on page 68
Table	20W x 18D in Black Textured Laminate Foil
OVERALL BEAM DIMENSIONS	
Seat Height - All Models	17.5H
Width and Depth:	
3 Position Beam:	
Logan	74W x 25D
5 Position Beam:	
Logan	120W x 25D
Back to Back Connection	Overall 51D

OPTIONAL SPECIFICATIONS

Description

Price

End to End Connection	To Connect 2 Sets of Beam Seating End To End	\$125
Back to Back Connection	To Connect 2 Sets of Beam Seating Back to Back	\$125

BEAM SEATING - LORDO

Effective Sept 1, 2018 please add 4.5% to price list dated January 1, 2016



L03300B3S3

Model #	Description	A/COM	B	C/COL	D	E	F	G	H	I	J/LEA
RAISED ELASTICIZED BACK											
L03300B3S3	3 Seats	\$3180	3218	3293	3368	3443	3518	3593	3668	3743	3818
L03300B3S2C	2 Seats Center Table	\$3330	3368	3443	3518	3593	3668	3743	3818	3893	3968
L03300B3S2E	2 Seats End Table	\$3330	3368	3443	3518	3593	3668	3743	3818	3893	3968
L03300B5S5	5 Seats	\$5300	5363	5488	5613	5738	5863	5988	6113	6238	6363
L03300B5S4C	4 Seats Center Table	\$5450	5513	5638	5763	5888	6013	6138	6263	6388	6513
L03300B5S4E	4 Seats End Table	\$5450	5513	5638	5763	5888	6013	6138	6263	6388	6513

STANDARD SPECIFICATIONS

	Description
Lordo	See "Lordo" on page 70
Table	20W x 18D in Black Textured Laminate Foil
OVERALL BEAM DIMENSIONS	
Seat Height - All Models	17.5H
Width and Depth:	
3 Position Beam:	
Lordo	74W x 25D
5 Position Beam:	
Lordo	120W x 25D
Back to Back Connection	Overall 51D

OPTIONAL SPECIFICATIONS

	Description	Price
End to End Connection	To Connect 2 Sets of Beam Seating End to End	\$125
Back to Back Connection	To Connect 2 Sets of Beam Seating Back to Back	\$125

BEAM SEATING - SIAMO

Effective Sept 1, 2018 please add 4.5% to price list dated January 1 2016



SM16682B3S3

Model #	Description	A/COM	B	C/COL	D	E	F	G	H	I	J/LEA
NO ARMS											
SM16680B3S3	3 Seats	\$2277	2360	2525	2690	2855	3020	3185	3350	3515	3680
SM16680B3S2C	2 Seats Center Table	\$2427	2510	2675	2840	3005	3170	3335	3500	3665	3830
SM16680B3S2E	2 Seats End Table	\$2427	2510	2675	2840	3005	3170	3335	3500	3665	3830
SM16680B5S5	5 Seats	\$3795	3933	4208	4483	4758	5033	5308	5583	5858	6133
SM16680B5S4C	4 Seats Center Table	\$3945	4083	4358	4633	4908	5183	5458	5733	6008	6283
SM16680B5S4E	4 Seats End Table	\$3945	4083	4358	4633	4908	5183	5458	5733	6008	6283
POLY ARMS											
SM16682B3S3	3 Seats	\$2382	2465	2630	2795	2960	3125	3290	3455	3620	3785
SM16682B3S2C	2 Seats Center Table	\$2532	2615	2780	2945	3110	3275	3440	3605	3770	3935
SM16682B3S2E	2 Seats End Table	\$2532	2615	2780	2945	3110	3275	3440	3605	3770	3935
SM16682B5S5	5 Seats	\$3970	4108	4383	4658	4933	5208	5483	5758	6033	6308
SM16682B5S4C	4 Seats Center Table	\$4120	4258	4533	4808	5083	5358	5633	5908	6183	6458
SM16682B5S4E	4 Seats End Table	\$4120	4258	4533	4808	5083	5358	5633	5908	6183	6458
POLISHED METAL ARMS											
SM16683B3S3	3 Seats	\$2847	2930	3095	3260	3425	3590	3755	3920	4085	4250
SM16683B3S2C	2 Seats Center Table	\$2997	3080	3245	3410	3575	3740	3905	4070	4235	4400
SM16683B3S2E	2 Seats End Table	\$2997	3080	3245	3410	3575	3740	3905	4070	4235	4400
SM16683B5S5	5 Seats	\$4745	4883	5158	5433	5708	5983	6258	6533	6808	7083
SM16683B5S4C	4 Seats Center Table	\$4895	5033	5308	5583	5858	6133	6408	6683	6958	7233
SM16683B5S4E	4 Seats End Table	\$4895	5033	5308	5583	5858	6133	6408	6683	6958	7233

STANDARD SPECIFICATIONS

Description

Siamo	See "Siamo" on page 80
Table	20W x 18D in Black Textured Laminate Foil
OVERALL BEAM DIMENSIONS	
Seat Height - All Models	17.5H
Width and Depth:	
3 Position Beam:	
Siamo	74W x 25D
5 Position Beam:	
Siamo	120W x 25D
Back to Back Connection	Overall 51D

OPTIONAL SPECIFICATIONS

Description

		Price
End to End Connection	To Connect 2 Sets of Beam Seating End to End	\$125
Back to Back Connection	To Connect 2 Sets of Beam Seating Back to Back	\$125

BEAM SEATING - TEO

Effective Sept 1, 2018 please add 4.5% to price list dated January 1, 2016



T09380B3S2E

Model #	Description	A/COM	B	C/COL	D	E	F	G	H	I	J/LEA
POLY BACK											
T09380B3S3	3 Seats	\$2577	2615	2690	2765	2840	2915	2990	3065	3140	3215
T09380B3S2C	2 Seats Center Table	\$2727	2765	2840	2915	2990	3065	3140	3215	3290	3365
T09380B3S2E	2 Seats End Table	\$2727	2765	2840	2915	2990	3065	3140	3215	3290	3365
T09380B5S5	5 Seats	\$4295	4358	4483	4608	4733	4858	4983	5108	5233	5358
T09380B5S4C	4 Seats Center Table	\$4445	4508	4633	4758	4883	5008	5133	5258	5383	5508
T09380B5S4E	4 Seats End Table	\$4445	4508	4633	4758	4883	5008	5133	5258	5383	5508
UPHOLSTERED BACK PAD											
T09390B3S3	3 Seats	\$2697	2753	2866	2978	3091	3203	3316	3428	3541	3653
T09390B3S2C	2 Seats Center Table	\$2847	2903	3016	3128	3241	3353	3466	3578	3691	3803
T09390B3S2E	2 Seats End Table	\$2847	2903	3016	3128	3241	3353	3466	3578	3691	3803
T09390B5S5	5 Seats	\$4495	4589	4776	4964	5151	5339	5526	5714	5901	6089
T09390B5S4C	4 Seats Center Table	\$4645	4739	4926	5114	5301	5489	5676	5864	6051	6239
T09390B5S4E	4 Seats End Table	\$4645	4739	4926	5114	5301	5489	5676	5864	6051	6239

STANDARD SPECIFICATIONS

	Description
Teo	See "teo" on page 94
Table	20W x 18D in Black Textured Laminate Foil
OVERALL BEAM DIMENSIONS	
Seat Height - All Models	17.5H
Width and Depth:	
3 Position Beam:	
Teo	74W x 25D
5 Position Beam:	
Teo	120W x 25D
Back to Back Connection	Overall 51D

OPTIONAL SPECIFICATIONS

Description	Price
End to End Connection	To Connect 2 Sets of Beam Seating End to End \$125
Back to Back Connection	To Connect 2 Sets of Beam Seating Back to Back \$125

Effective Sept 1, 2018 please add 4.5% to price list dated January 1 2016

DISCONTINUED

Effective Sept 1, 2018 please add 4.5% to price list dated January 1, 2016

DISCONTINUED

Effective Sept 1, 2018 please add 4.5% to price list dated January 1 2016

DISCONTINUED

Effective Sept 1, 2018 please add 4.5% to price list dated January 1, 2016

DISCONTINUED

BOBO BENCHES & OTTOMAN

Effective Sept 1, 2018 please add 4.5% to price list dated January 1 2016



B03360



B03160

Model #	Description	A/COM	B	C/COL	D	E	F	G	H	I	J/LEA
BOBO											
B03160	Ottoman	\$975	1015	1095	1175	1255	1335	1415	1495	1575	1655
B03360	Three Seat Bench	\$1625	1708	1873	2038	2203	2368	2533	2698	2863	3028
Dimensions:											
B03160	19W x 19D x 18H										
B03360	53W x 19D x 18H										

STANDARD SPECIFICATIONS

Description

Seat
Polished Metal Feet

Tight Cushion Construction
For All Models

OPTIONAL SPECIFICATIONS

Cal 133 Fire Code Fire Barrier Applied Under the Upholstery +20%

COM/COL

COM

COL

Yard

Square Feet

B03160	2.00	36
B03360	3.50	63

Effective Sept 1, 2018 please add 4.5% to price list dated January 1, 2016



B03169



B03369



B03149

Model #	Description	A/COM	B	C/COL	D	E	F	G	H	I	J/LEA
BABY BOBO											
B03149	Single Seat Chair, Wood Back	\$765	795	855	915	975	1035	1095	1155	1215	1275
B03149UBR	Single Seat Chair, Upholstered Back	\$815	855	935	1015	1095	1175	1255	1335	1415	1495
Dimensions:		Price									
Seat	14W x 14D x 13H										
Back	13W x 12H										
Overall	14W x 18D x 25H										
B03169	Ottoman	\$570	589	626	664	701	739	776	814	851	889
B03369	Three Seat Bench	\$920	955	1025	1095	1165	1235	1305	1375	1445	1515
Dimensions:											
B03169	14W x 14D x 13H										
B03369	35W x 13D x 13H										

STANDARD SPECIFICATIONS

Description

Wood Back	Natural Maple Finish
Seat	Tight Cushion Construction
Black Zipper	For Upholstered Back Versions
Natural Maple Duck Feet	For All Models

OPTIONAL SPECIFICATIONS

Description

Alternative Stain for Wood Backs or for Duck Feet	See Page 137	n/c
Color Zippers	See Page 137	\$75
Cal 133 Fire Code	Fire Barrier Applied Under the Upholstery	+20%

COM/COL

COM

COL

	Yard	Square Feet
B03149	1.30	23
B03149UBR	1.50	27
	Seat	23
	Back	20
B03169	1.00	18
B03369	1.40	25

Effective Sept 1, 2018 please add 4.5% to price list dated January 1 2016

DISCONTINUED

Effective Sept 1, 2018 please add 4.5% to price list dated January 1, 2016

DISCONTINUED

Effective Sept 1, 2018 please add 4.5% to price list dated January 1 2016

DISCONTINUED

Effective Sept 1, 2018 please add 4.5% to price list dated January 1, 2016

DISCONTINUED

CITY CLUB

Effective Sept 1, 2018 please add 4.5% to price list dated January 1 2016



CC0010

Shown with Optional Writing Tablet
& Swivel Base



CC0010



CC0010

Shown with Optional Rear Casters



CC0030

Model #	Description	A/COM	B	C/COL	D	E	F	G	H	I	J/LEA
CC0010	Single Seat Lounge Chair	\$1295	1395	1595	1795	1995	2195	2395	2595	2795	2995
CC0020	Two Seat Sofa	\$2495	2658	2983	3308	3633	3958	4283	4608	4933	5258
CC0030	Three Seat Sofa	\$3495	3695	4095	4495	4895	5295	5695	6095	6495	6895

NOTE: CC0020 & CC0030 are Special Order. Please Check Lead Times

Dimensions: Seat Height 17"
See Other Dimensions in COM/COL Section

Effective Sept 1, 2018 please add 4.5% to price list dated January 1, 2016

STANDARD SPECIFICATIONS

	Description
Classic Club Design	Slanted Arm for Enhanced Comfort
Feet	Polished Aluminum

OPTIONAL SPECIFICATIONS

	Description	Price
Cone Shaped Wood Feet	See Page 137	\$80
Casters at Rear	For Single Seat Chair for Ease of Mobility	\$115
Writing Tablet	16" Diameter Black Textured Foil Surface. Rotates 360°. Standard on Right Unless Specified	\$315
Contrasting Seat Fabric	Select Fabric/Leather Different from Back & Arms	\$125
Swivel Base	Polished Metal - for Single Seat Chair	\$255
Cal 133 Fire Code	Fire Barrier Applied Under the Upholstery	+20%
Power and Data	See Page 127	

COM/COL/DIMENSIONS

		COM	COL	Dimensions (in inches)			
		Yard	Square Feet	Seat Width	Seat Depth	Chair Width	Chair Depth
CC0010	Complete Chair	4.10	74	21	20	28	29
	Arms and Back	3.00	54				
	Seat	1.40	25				
CC0020	Complete Sofa	6.75	122	50	20	57	29
	Arms and Back	4.00	72				
	Seat	2.75	50				
CC0030	Complete Sofa	8.50	153	70	20	77	29
	Arms and Back	5.20	94				
	Seat	3.20	58				

COTY BENCHES

Effective Sept 1, 2018 please add 4.5% to price list dated January 1 2016



CY8266

Shown with Optional Egbert Feet

CY2269

Model #	Description	A/COM	B	C/COL	D	E	F	G	H	I	J/LEA
BENCHES 21" DEEP											
With 1.5" TALL AVENUE FEET											
CY2166	Ottoman Split Seat Upholstery 21W	\$995	1025	1085	1145	1205	1265	1325	1385	1445	1505
CY2266	Two Seat Bench Split Seat Upholstery 42W	\$1475	1540	1670	1800	1930	2060	2190	2320	2450	2580
CY2366	Three Seat Bench Split Seat Upholstery 63W	\$1965	2075	2295	2515	2735	2955	3175	3395	3615	3835
CY2169	Ottoman No Split Seat Upholstery 21W	\$995	1025	1085	1145	1205	1265	1325	1385	1445	1505
CY2269	Two Seat Bench No Split Seat Upholstery 42W	\$1475	1540	1670	1800	1930	2060	2190	2320	2450	2580
CY2369	Three Seat Bench No Split Seat Upholstery 63W	\$1965	2075	2295	2515	2735	2955	3175	3395	3615	3835
WITH 5" TALL ALETA FEET											
CY15166	Ottoman Split Seat Upholstery 21W	\$1045	1075	1135	1195	1255	1315	1375	1435	1495	1555
CY15266	Two Seat Bench Split Seat Upholstery 42W	\$1525	1590	1720	1850	1980	2110	2240	2370	2500	2630
CY15366	Three Seat Bench Split Seat Upholstery 63W	\$2015	2125	2345	2565	2785	3005	3225	3445	3665	3885
CY15169	Ottoman No Split Seat Upholstery 21W	\$1045	1075	1135	1195	1255	1315	1375	1435	1495	1555
CY15269	Two Seat Bench No Split Seat Upholstery 42W	\$1525	1590	1720	1850	1980	2110	2240	2370	2500	2630
CY15369	Three Seat Bench No Split Seat Upholstery 63W	\$2015	2125	2345	2565	2785	3005	3225	3445	3665	3885

COTY BENCHES

Effective Sept 1, 2018 please add 4.5% to price list dated January 1, 2016

Model #	Description	A/COM	B	C/COL	D	E	F	G	H	I	J/LEA
BENCHES 21" DEEP (CONT.)											
WITH 5" TALL OPTIONAL FEET See Page 137 for Feet Options											
CY8166	Ottoman Split Seat Upholstery 21W	\$995	1025	1085	1145	1205	1265	1325	1385	1445	1505
CY8266	Two Seat Bench Split Seat Upholstery 42W	\$1475	1540	1670	1800	1930	2060	2190	2320	2450	2580
CY8366	Three Seat Bench Split Seat Upholstery 63W	\$1965	2075	2295	2515	2735	2955	3175	3395	3615	3835
CY8169	Ottoman No Split Seat Upholstery 21W	\$995	1025	1085	1145	1205	1265	1325	1385	1445	1505
CY8269	Two Seat Bench No Split Seat Upholstery 42W	\$1475	1540	1670	1800	1930	2060	2190	2320	2450	2580
CY8369	Three Seat Bench No Split Seat Upholstery 63W	\$1965	2075	2295	2515	2735	2955	3175	3395	3615	3835
BED BENCH 42" DEEP WITH TUFTED SEAT UPHOLSTERY											
WITH 5" TALL OPTIONAL FEET See Page 137 for Feet Options											
CY6800/4242	Bed Bench 42W	\$2295	2370	2520	2670	2820	2970	3120	3270	3420	3570
CY6800/6342	Bed Bench 63W	\$3295	3408	3633	3858	4083	4308	4533	4758	4983	5208
CY6800/8442	Bed Bench 84W	\$4295	4445	4745	5045	5345	5645	5945	6245	6545	6845
ROUND BED BENCHES WITH TUFTED SEAT UPHOLSTERY											
WITH 5" TALL OPTIONAL FEET See Page 137 for Feet Options											
CY6800/36D	36" Diameter	\$2995	3408	3633	3858	4083	4308	4533	4758	4983	5208
CY6800/42D	42" Diameter	\$3795	4445	4745	5045	5345	5645	5945	6245	6545	6845

STANDARD SPECIFICATIONS

Fixed Seat Cushions

Description

Tight Seat Cushion Upholstery

OPTIONAL SPECIFICATIONS

	Description	Price
Aleta Feet	See Page 137	n/c
Avenue Feet	See Page 137	n/c
Egbert Feet	Polished Aluminum	n/c
Indigo Wood Feet	See Page 137	n/c
Sidney Wood Feet	See Page 137	n/c
Cal 133 Fire Code	Fire Barrier Applied Under Upholstery	+20%
Power and Data	See Page 127	

COM/COL

	COM	COL
	Yard	Square Feet
BENCHES 21" DEEP		
Ottoman	2.00	34
Two Seat	3.50	60
Three Seat	5.00	85
BED BENCH 42" DEEP		
Fabric is RAILROADED		
CY6800/4242	3.50	60
CY6800/6342	5.00	85
CY6800/8442	7.00	119

Effective Sept 1, 2018 please add 4.5% to price list



CU18001



CU18002



CU18003

Model #	Description	A/COM	B	C/COL	D	E	F	G	H	I	J/LEA
CHAIR AND SOFAS											
CU18001	Single Seat Lounge Chair	\$1945	2083	2358	2633	2908	3183	3458	3733	4008	4283
CU18002	Two Seat Sofa	\$3045	3214	3551	3889	4226	4564	4901	5239	5576	5914
CU18003	Three Seat Sofa	\$4095	4308	4733	5158	5583	6008	6433	6858	7283	7708
OTTOMAN & BENCHES											
CU18160	Ottoman	\$1045	1075	1135	1195	1255	1315	1375	1435	1495	1555
CU18260	Two Seat Bench	\$1525	1590	1720	1850	1980	2110	2240	2370	2500	2630
CU18360	Three Seat Bench	\$2015	2125	2345	2565	2785	3005	3225	3445	3665	3885
BENCHES & ARMS											
CU18270	Two Seat Bench & Arms	\$1765	1855	2035	2215	2395	2575	2755	2935	3115	3295
CU18370	Three Seat Bench & Arms	\$2255	2390	2660	2930	3200	3470	3740	4010	4280	4550
BENCHES, ARMS & TABLE											
CU18370/61/CST	Two Seat Bench, Arms & Customer's Own Table Top	\$2255	2390	2660	2930	3200	3470	3740	4010	4280	4550
CU18370/61/GLS	Two Seat Bench, Arms & Glass Table	\$2605	2740	3010	3280	3550	3820	4090	4360	4630	4900
CU18370/61/GRN	Two Seat Bench, Arms & Granite Table	\$3955	4090	4360	4630	4900	5170	5440	5710	5980	6250
BENCHES & TABLE											
CU18360/61/CST	Two Seat Bench & Customer's Own Table Top	\$2015	2125	2345	2565	2785	3005	3225	3445	3665	3885
CU18360/61/GLS	Two Seat Bench & Glass Table Top	\$2365	2475	2695	2915	3135	3355	3575	3795	4015	4235
CU18360/61/GRN	Two Seat Bench & Granite Table Top	\$3715	3825	4045	4265	4485	4705	4925	5145	5365	5585
TABLES											
CU18161/ CST	Square Table & Customer's Own Table Top	\$1045	1075	1135	1195	1255	1315	1375	1435	1495	1555
CU18161/ GLS	Square Table & Glass Top	\$1395	1425	1485	1545	1605	1665	1725	1785	1845	1905
CU18161/ GRN	Square Table & Granite Top	\$2745	2775	2835	2895	2955	3015	3075	3135	3195	3255
CC18261/ CST	Rectangular Table & Customer's Own Table Top	\$1525	1590	1720	1850	1980	2110	2240	2370	2500	2630
CU18261/ GLS	Rectangular Table & Glass Top	\$2125	2190	2320	2450	2580	2710	2840	2970	3100	3230
CU18261/ GRN	Rectangular Table & Granite Top	\$3225	3290	3420	3550	3680	3810	3940	4070	4200	4330

NOTE

Dimensions:

See COL/COM section

Effective Sept 1, 2018 please add 4.5% to price list dated January 1, 2016

STANDARD SPECIFICATIONS

	Description
Construction	Full Panel Box Construction Using CARB Compliant Plywood. Superior Construction Passes GSA Heavy Duty Furniture Test FNAE-80-214A. Full Panel Box for Seat Back and Arms Allows Incorporation of Power and Other Accessories.
Loose Seat Cushions	Inner Spring Cushion Construction

OPTIONAL SPECIFICATIONS

	Description	Price
Integrated Cup Holder	Polished Metal. Standard on Left Arm or on Arm Opposite Writing Tablet Unless Specified	\$85
Fixed Seat Cushions	Single Seat Lounge Chair	\$60
	Two Seat Sofa	\$75
	Three Seat Sofa	\$95
Square Stitch Upholstery	On Front of Back	\$120
Contrasting Seat Fabric	Select Fabric/Leather Different from Back & Arms	\$125
Power and Data	See Page 127	
Casters	Available for Single Seat Models Only	\$95
Cal 133 Fire Code	Fire Barrier Applied Under the Upholstery	+20%

COM/COL/DIMENSIONS

		COM	COL	Dimensions:				
		Yard	Square Feet	Seat Width	Arm Height from Floor	Back Height from Floor	Total Width	Total Depth
CU18001	Complete	5.50	99	21.00	29.50	29.50	32.00	29.00
	Arms and Back	4.70	85					
	Seat	1.20	22					
CU18002	Complete	7.70	139	42.00	29.50	29.50	53.00	29.00
	Arms and Back	5.90	106					
	Seat	2.20	40					
CU18003	Complete	9.90	178	63.00	29.50	29.50	74.00	29.00
	Arms and Back	7.40	133					
	Seat	2.90	52					
CU18160	Complete	2.30	41	21.00			21.00	21.00
	Seat Box	1.00	18					
	Seat Cushion	1.70	31					
CU18260	Complete	3.75	68	42.00			42.00	21.00
	Seat Box	1.70	31					
	Seat Cushion	2.25	41					
CU18360	Complete	5.25	95	63.00			63.00	21.00
	Seat Box	2.50	45					
	Seat Cushion	3.20	58					
CU18270	Complete	5.60	101	42.00	23.00		53.00	21.00
	Seat Box & Arms	3.60	65					
	Seat Cushion	2.30	41					
CU18370	Complete	7.00	126	63.00	23.00		74.00	21.00
	Seat Box & Arms	4.50	81					
	Seat Cushion	3.20	58					
CU18370/61	Complete	6.00	108	63.00	23.00		74.00	21.00
	Seat Box & Arms	4.50	81					
	Seat Cushion	2.30	41					
CU18360/61	Complete	4.00	72	63.00			63.00	21.00
	Seat Box	2.25	41					
	Seat Cushion	2.30	41					
CU18161	Complete	1.00	18	21.00			21.00	21.00
CU18261	Complete	2.00	36	42.00			42.00	21.00

NOTE All seats are 21"Deep x 17"High

EDDY: 4 POST

Effective Sept 1, 2018 please add 4.5% to price list dated January 1 2016



ED4000



ED4010



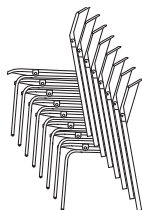
ED4020-000

Model #	Description	A/COM	B	C/COL	D	E	F	G	H	I	J/LEA
POLY SEAT AND BACK											
ED4000	Black Frame No Arms	\$254									
ED4002	Black Frame with Arms	\$309									
ED4000-000	Polished Metal Frame No Arms	\$354									
ED4002-000	Polished Metal Frame with Arms	\$409									
UPHOLSTERED SEAT PAD/POLY BACK											
ED4010	Black Frame No Arms	\$334	349	379	409	439	469	499	529	559	589
ED4012	Black Frame with Arms	\$389	404	434	464	494	524	554	584	614	644
ED4010-000	Polished Metal Frame No Arms	\$434	449	479	509	539	569	599	629	659	689
ED4012-000	Polished Metal Frame with Arms	\$489	504	534	564	594	624	654	684	714	744
UPHOLSTERED SEAT AND BACK PADS ON POLY											
ED4020	Black Frame No Arms	\$404	427	472	517	562	607	652	697	742	787
ED4022	Black Frame with Arms	\$459	482	527	572	617	662	707	752	797	842
ED4020-000	Polished Metal Frame No Arms	\$504	527	572	617	662	707	752	797	842	887
ED4022-000	Polished Metal Frame with Arms	\$559	582	627	672	717	762	807	852	897	942

Standard and Optional Specifications,
COM/COL
Dimensions

[See Page 53](#)

[See Page 52](#)



Stack 8 on the Floor, 10 on the Cart

EDDY: 4 POST WITH CASTERS

Effective Sept 1, 2018 please add 4.5% to price list dated January 1, 2016



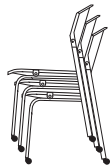
ED4092-000

Model #	Description	A/COM	B	C/COL	D	E	F	G	H	I	J/LEA
POLY SEAT AND BACK											
ED4070	Black Frame No Arms	\$324									
ED4072	Black Frame With Arms	\$379									
ED4070-000	Polished Metal Frame No Arms	\$424									
ED4072-000	Polished Metal Frame With Arms	\$479									
UPHOLSTERED SEAT PAD/POLY BACK											
ED4080	Black Frame No Arms	\$404	419	449	479	509	539	569	599	629	659
ED4082	Black Frame With Arms	\$459	474	504	534	564	594	624	654	684	714
ED4080-000	Polished Metal Frame No Arms	\$504	519	549	579	609	639	669	699	729	759
ED4082-000	Polished Metal Frame With Arms	\$559	574	604	634	664	694	724	754	784	814
UPHOLSTERED SEAT AND BACK PADS ON POLY											
ED4090	Black Frame No Arms	\$474	497	542	587	632	677	722	767	812	857
ED4092	Black Frame With Arms	\$529	552	597	642	687	732	777	822	867	912
ED4090-000	Polished Metal Frame No Arms	\$574	597	642	687	732	777	822	867	912	957
ED4092-000	Polished Metal Frame With Arms	\$629	652	697	742	787	832	877	922	967	1012

Standard and Optional Specifications,
COM/COL
Dimensions

[See Page 53](#)

[See Page 52](#)



Stack 3 on the Floor

EDDY: 4 POST COUNTER STOOL

Effective Sept 1, 2018 please add 4.5% to price list dated January 1 2016



ED4300-000CS

Model #	Description	A/COM	B	C/COL	D	E	F	G	H	I	J/LEA
POLY SEAT AND BACK											
ED4300CS	Black Frame No Arms	\$474									
ED4302CS	Black Frame With Arms	\$529									
ED4300-000CS	Polished Metal Frame No Arms	\$594									
ED4302-000CS	Polished Metal Frame With Arms	\$649									
UPHOLSTERED SEAT PAD/POLY BACK											
ED4310CS	Black Frame No Arms	\$554	569	599	629	659	689	719	749	779	809
ED4312CS	Black Frame With Arms	\$609	624	654	684	714	744	774	804	834	864
ED4310-000CS	Polished Metal Frame No Arms	\$674	689	719	749	779	809	839	869	899	929
ED4312-000CS	Polished Metal Frame With Arms	\$729	744	774	804	834	864	894	924	954	984
UPHOLSTERED SEAT AND BACK PADS ON POLY											
ED4320CS	Black Frame No Arms	\$624	647	692	737	782	827	872	917	962	1007
ED4322CS	Black Frame With Arms	\$679	702	747	792	837	882	927	972	1017	1062
ED4320-000CS	Polished Metal Frame No Arms	\$744	767	812	857	902	947	992	1037	1082	1127
ED4322-000CS	Polished Metal Frame With Arms	\$799	822	867	912	957	1002	1047	1092	1137	1182

Standard and Optional Specifications, COM/COL [See Page 53](#)

Dimensions [See Page 52](#)

EDDY: 4 POST BAR STOOL

Effective Sept 1, 2018 please add 4.5% to price list dated January 1, 2016



ED4300-000

Model #	Description	A/COM	B	C/COL	D	E	F	G	H	I	J/LEA
POLY SEAT AND BACK											
ED4300	Black Frame No Arms	\$454									
ED4302	Black Frame With Arms	\$509									
ED4300-000	Polished Metal Frame No Arms	\$574									
ED4302-000	Polished Metal Frame With Arms	\$629									
UPHOLSTERED SEAT PAD/POLY BACK											
ED4310	Black Frame No Arms	\$534	549	579	609	639	669	699	729	759	789
ED4312	Black Frame With Arms	\$589	604	634	664	694	724	754	784	814	844
ED4310-000	Polished Metal Frame No Arms	\$654	669	699	729	759	789	819	849	879	909
ED4312-000	Polished Metal Frame With Arms	\$709	724	754	784	814	844	874	904	934	964
UPHOLSTERED SEAT AND BACK PADS ON POLY											
ED4320	Black Frame No Arms	\$604	627	672	717	762	807	852	897	942	987
ED4322	Black Frame With Arms	\$659	682	727	772	817	862	907	952	997	1042
ED4320-000	Polished Metal Frame No Arms	\$724	747	792	837	882	927	972	1017	1062	1107
ED4322-000	Polished Metal Frame With Arms	\$779	802	847	892	937	982	1027	1072	1117	1162

Standard and Optional Specifications,
COM/COL

[See Page 53](#)

Dimensions

[See Page 52](#)

EDDY: SLED

Effective Sept 1, 2018 please add 4.5% to price list dated January 1 2016



ED4120-000

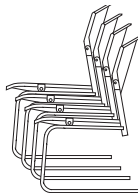
Model #	Description	A/COM	B	C/COL	D	E	F	G	H	I	J/LEA
POLY SEAT AND BACK											
ED4100	Black Frame No Arms	\$374									
ED4102	Black Frame With Arms	\$429									
ED4100-000	Polished Metal Frame No Arms	\$474									
ED4102-000	Polished Metal Frame With Arms	\$529									
UPHOLSTERED SEAT PAD/POLY BACK											
ED4110	Black Frame No Arms	\$454	469	499	529	559	589	619	649	679	709
ED4112	Black Frame With Arms	\$509	524	554	584	614	644	674	704	734	764
ED4110-000	Polished Metal Frame No Arms	\$554	569	599	629	659	689	719	749	779	809
ED4112-000	Polished Metal Frame With Arms	\$609	624	654	684	714	744	774	804	834	864
UPHOLSTERED SEAT AND BACK PADS ON POLY											
ED4120	Black Frame No Arms	\$524	547	592	637	682	727	772	817	862	907
ED4122	Black Frame With Arms	\$579	602	647	692	737	782	827	872	917	962
ED4120-000	Polished Metal Frame No Arms	\$624	647	692	737	782	827	872	917	962	1007
ED4122-000	Polished Metal Frame With Arms	\$679	702	747	792	837	882	927	972	1017	1062

Standard and Optional Specifications,
COM/COL

[See Page 53](#)

Dimensions

[See Page 52](#)



Stack 4 on the Floor, 4 on the Cart

EDDY: SWIVEL & TILT DESK CHAIR

Effective Sept 1, 2018 please add 4.5% to price list dated January 1, 2016



ED4400

Model #	Description	A/COM	B	C/COL	D	E	F	G	H	I	J/LEA
POLY SEAT AND BACK											
ED4400	Black Frame No Arms	\$404									
ED4402	Black Frame With Arms	\$459									
UPHOLSTERED SEAT PAD/POLY BACK											
ED4410	Black Frame No Arms	\$484	499	529	559	589	619	649	679	709	739
ED4412	Black Frame With Arms	\$539	554	584	614	644	674	704	734	764	794
UPHOLSTERED SEAT AND BACK PADS ON POLY											
ED4420	Black Frame No Arms	\$554	577	622	667	712	757	802	847	892	937
ED4422	Black Frame With Arms	\$609	632	677	722	767	812	857	902	947	992

Standard and Optional Specifications, COM/COL [See Page 53](#)

Dimensions [See Page 52](#)

EDDY: SWIVEL & TILT STOOL

Effective Sept 1, 2018 please add 15% to all prices effective 1/1/2016



ED4400-660

Model #	Description	A/COM	B	C/COL	D	E	F	G	H	I	J/LEA
POLY SEAT AND BACK											
ED4400-660	Black Frame Medium Height No Arms	\$524									
ED4402-660	Black Frame Medium Height with Arms	\$579									
ED4400-680	Black Frame Tall Height No Arms	\$544									
ED4402-680	Black Frame Tall Height with Arms	\$599									
UPHOLSTERED SEAT PAD/POLY BACK											
ED4410-660	Black Frame Medium Height No Arms	\$604	619	649	679	709	739	769	799	829	859
ED4412-660	Black Frame Medium Height with Arms	\$659	674	704	734	764	794	824	854	884	914
ED4410-680	Black Frame Tall Height No Arms	\$624	639	669	699	729	759	789	819	849	879
ED4412-680	Black Frame Tall Height with Arms	\$679	694	724	754	784	814	844	874	904	934
UPHOLSTERED SEAT AND BACK PADS ON POLY											
ED4420-660	Black Frame Medium Height No Arms	\$674	697	742	787	832	877	922	967	1012	1057
ED4422-660	Black Frame Medium Height with Arms	\$729	752	797	842	887	932	977	1022	1067	1112
ED4420-680	Black Frame Tall Height No Arms	\$694	717	762	807	852	897	942	987	1032	1077
ED4422-680	Black Frame Tall Height with Arms	\$749	772	817	862	907	952	997	1042	1087	1132

DIMENSIONS

Seat	17.5W x 18.5D
Back	18W x 16.5H
Seat Height 4 Post	17H
Seat Height 4 Post with Casters	17H
Seat Height 4 Post Counter Stool	23.5H
Seat Height 4 Post Bar Stool	29H
Seat Height Sled	17H
Seat Height Swivel Desk Chair	16-21H
Seat Height Swivel Medium Stool	19-26H
Seat Height Swivel Tall Stool	23-32H
Overall Width of All Models no Arms	20W
Overall Width of All Models Arms	23W
Diameter of Swivel Base	27

Effective Sept 1, 2018 please add 4.5% to price list dated January 1, 2016

STANDARD SPECIFICATIONS

Available on a Beam
Polypropylene Colors

Footring for Stool Version
Swivel Base
Carpet Casters
Glides

Description

[See Page 24](#)
[See Page 135](#)
200 Black 042 White
700 Gray 003 Beige
800 Red
900 Blue
Polished 20" Diameter with Simple Rotation/Lock for Height Variation of Footring
Black Nylon 5 Star Base
Hard Wheel Free Rolling Casters for Soft Surface
Nylon Glides for Carpet Surface

OPTIONAL SPECIFICATIONS

Mobile Stacking Cart
Hard Floor Casters
Cal 133 Fire Code

FOR 4 POST CHAIRS & STOOLS:

Stackable Writing Tablet



Large Writing Tablet



Bookrack

Ganging Connectors
Glides for Hard Floors

Description

Accommodates Eight 4 Post or Four Sled Chairs
Soft Wheel Braking Casters for Hard Floor
Fire Barrier Applied Under the Upholstery for Gray Poly Only

Frame is Black Powdercoated and Worksurface is Black Textured Laminate Size 10W x11D Kidney Shape
Standard Right Handed or Specify Left
Surface Pivots in Flips Up and Rotates for Stacking
Requires Partial Assembly on Site.
Estimated Assembly Time 3- 5 Minutes Each
For Factory Assembly Add \$50 Each

Frame is Black Powdercoated and Worksurface is Black Textured Foil, Size 17W x 10D Kidney Shape
Tablet is Designed Large to Avoid Need for Handed and is Mounted on Standard on Right for Uniformity.
Standard Right Handed or Specify Left
Due to Large Size Chair Will Not Be Stackable With Tablet but the Tablet Flips Up For Easy Entry to Seat
Requires Partial Assembly on Site.
Estimated Assembly Time 3- 5 Minutes Each
For Factory Assembly Add \$50 Each

Spring Fit, Black Wire Frame, Mounted Under Seat

Set for 4 Post Models (Not With Writing Tablet)
Felt Glides for 4 Post Legs

Price

\$350
\$35
+20%

\$215

\$215

\$55

\$35
\$25

COM/COL

COM

COL

Yard

Square Feet

Seat Pad	0.75	14
Back Pad	0.50	9
Seat & Back	1.00	18

Effective Sept 1, 2018 please add 4.5% to price list dated January 1 2016



EG8201



EG8202



EG8203

Model #	Description	A/COM	B	C/COL	D	E	F	G	H	I	J/LEA
CHAIR AND SOFAS											
EG8201	Single Seat Lounge Chair	\$1845	1983	2258	2533	2808	3083	3358	3633	3908	4183
EG8202	Two Seat Sofa	\$2845	3014	3351	3689	4026	4364	4701	5039	5376	5714
EG8203	Three Seat Sofa	\$3845	4058	4483	4908	5333	5758	6183	6608	7033	7458
OTTOMAN AND BENCHES											
EG8160	Ottoman	\$995	1025	1085	1145	1205	1265	1325	1385	1445	1505
EG8260	Two Seat Bench	\$1475	1540	1670	1800	1930	2060	2190	2320	2450	2580
EG8360	Three Seat Bench	\$1965	2075	2295	2515	2735	2955	3175	3395	3615	3835
BENCHES WITH ARMS											
EG8270	Two Seat Bench with Arms	\$1715	1805	1985	2165	2345	2525	2705	2885	3065	3245
EG8370	Three Seat Bench with Arms	\$2205	2340	2610	2880	3150	3420	3690	3960	4230	4500
BENCHES WITH ARMS AND TABLE											
EG8370/61/CST	Two Seat Bench, Arms & Customer's Own Table Top	\$2205	2340	2610	2880	3150	3420	3690	3960	4230	4500
EG8370/61/GLS	Two Seat Bench, Arms & Glass Table	\$2555	2690	2960	3230	3500	3770	4040	4310	4580	4850
EG8370/61/GRN	Two Seat Bench, Arms & Granite Table	\$3905	4040	4310	4580	4850	5120	5390	5660	5930	6200
BENCHES WITH TABLE											
EG8360/61/CST	Two Seat Bench & Customer's Own Table Top	\$1965	2075	2295	2515	2735	2955	3175	3395	3615	3835
EG8360/61/GLS	Two Seat Bench & Glass Table Top	\$2315	2425	2645	2865	3085	3305	3525	3745	3965	4185
EG8360/61/GRN	Two Seat Bench & Granite Table Top	\$3665	3775	3995	4215	4435	4655	4875	5095	5315	5535
TABLES											
EG8161/CST	Square Table & Customer's Own Table Top	\$995	1025	1085	1145	1205	1265	1325	1385	1445	1505
EG8161/GLS	Square Table & Glass Top	\$1345	1375	1435	1495	1555	1615	1675	1735	1795	1855
EG8161/GRN	Square Table & Granite Top	\$2695	2725	2785	2845	2905	2965	3025	3085	3145	3205
EG8261/CST	Rectangular Table & Customer's Own Table Top	\$1475	1540	1670	1800	1930	2060	2190	2320	2450	2580
EG8261/GLS	Rectangular Table & Glass Top	\$2075	2140	2270	2400	2530	2660	2790	2920	3050	3180
EG8261/GRN	Rectangular Table & Granite Top	\$3175	3240	3370	3500	3630	3760	3890	4020	4150	4280

Dimensions: See COL/COM Section

Effective Sept 1, 2018 please add 4.5% to price list dated January 1, 2016

STANDARD SPECIFICATIONS

	Description
Construction	Full Panel Box Construction Using CARB Compliant Plywood. Superior Construction Passes GSA Heavy Duty Furniture Test FNAE-80-214A.
Loose Seat Cushions	Full Panel Box for Seat Back and Arms Allows Incorporation of Power and Other Accessories. Inner Spring Cushion Construction

OPTIONAL SPECIFICATIONS

	Description	Price
Writing Tablet	16" Diameter Black Textured Foil Surface. Rotates 360° Standard on Right Unless Specified	\$315
Integrated Cup Holder	Polished Metal. Standard on Left Arm or on Arm Opposite Writing Tablet Unless Specified	\$85
Wood Arm Cap	For Wood Finishes See Page 137	\$145
Fixed Seat Cushions	Single Seat Lounge Chair	\$60
	Two Seat Sofa	\$75
	Three Seat Sofa	\$95
Square Stitch Upholstery	On Front of Back	\$120
Contrasting Seat Fabric	Select Fabric/Leather Different from Back & Arms	\$125
Power and Data	See Page 127	
Casters	Available for Single Seat Models Only	\$95
Ganging Connector Set	To Gang 2 Units	\$95
Cal 1.33 Fire Code	Fire Barrier Applied Under the Upholstery	+ 20%

COM/COL/DIMENSIONS

		COM	COL	Dimensions (in Inches)				
		Yard	Square Feet	Seat Width	Arm Height from Floor	Back Height from Floor	Total Width	Total Depth
EG8201	Complete	5.50	99	21.00	23.00	29.50	32.00	29.00
	Arms and Back	4.50	81					
	Seat Cushion	1.20	22					
EG8202	Complete	7.20	130	42.00	23.00	29.50	53.00	29.00
	Arms and Back	5.50	99					
	Seat Cushion	2.20	40					
EG8203	Complete	9.00	162	63.00	23.00	29.50	74.00	29.00
	Arms and Back	6.50	117					
	Seat Cushion	2.90	52					
EG8160	Complete	2.30	41	21.00			21.00	21.00
	Seat Box	1.00	18					
	Seat Cushion	1.70	31					
EG8260	Complete	3.75	68	42.00			42.00	21.00
	Seat Box	1.70	31					
	Seat Cushion	2.25	41					
EG8360	Complete	5.25	95	63.00			63.00	21.00
	Seat Box	2.50	45					
	Seat Cushion	3.20	58					
EG8270	Complete	5.60	101	42.00	23.00		53.00	21.00
	Seat Box & Arms	3.60	65					
	Seat Cushion	2.30	41					
EG8370	Complete	7.00	126	63.00	23.00		74.00	21.00
	Seat Box & Arms	4.50	81					
	Seat Cushion	3.20	58					
EG8370/61	Complete	6.00	108	63.00	23.00		74.00	21.00
	Seat Box & Arms	4.50	81					
	Seat Cushion	2.30	41					
EG8360/61	Complete	4.00	72	63.00			63.00	21.00
	Seat Box	2.25	41					
	Seat Cushion	2.30	41					
EG8161	Complete	1.00	18	21.00			21.00	21.00
EG8261	Complete	2.00	36	42.00			42.00	21.00

NOTE: All seats are 21"Deep x 17"High

Effective Sept 1, 2018 please add 4.5% to price list dated January 1 2016



EN6200/LH

Model #	Description	Price
EN6200-400GL	Pull-Up Side Table with Glass Top and Silver Base	\$595
EN6200-400LAM	Pull-Up Side Table with Laminate Top and Silver Base	\$695
Dimensions:		
Top Surface	Oval 20" x 14"	
Table Height	26" Lounge Height	

STANDARD SPECIFICATIONS

	Description
Glass Top	White Back Painted Tempered Safety Glass
Laminate Top	White Laminate Surface with Natural Clear Coated Undercut Plywood Edge
Base and Column	Powder-Coated Metal

HIGHWAY

Effective Sept 1, 2018 please add 4.5% to price list dated January 1 2016



HW16060

Shown with Optional Upholstered Arm Pads



HW16090

Shown with Optional Upholstered Arm Pads

Model #	Description	A/COM	B	C/COL	D	E	F	G	H	I	J/LEA
SWIVEL TILT											
HW16060	Aluminum Back Frame, Mesh Back Panel	\$1149	1164	1194	1224	1254	1284	1314	1344	1374	1404
HW16080	Aluminum Back Frame, Upholstered Back Panel	\$1249	1282	1347	1412	1477	1542	1607	1672	1737	1802
HW16090	Fully Upholstered Back, No Outer Frame	\$1149	1182	1247	1312	1377	1442	1507	1572	1637	1702
Dimensions:											
Seat		19W x 18.5D x 16-21H									
Back		19W x 19H									
Base		27 Diameter									
SLED BASE											
HW16020	Aluminum Back Frame, Mesh Back Panel	\$1049	1064	1094	1124	1154	1184	1214	1244	1274	1304
HW16040	Aluminum Back Frame, Upholstered Back Panel	\$1149	1182	1247	1312	1377	1442	1507	1572	1637	1702
HW16050	Fully Upholstered Back, No Outer Frame	\$1049	1082	1147	1212	1277	1342	1407	1472	1537	1602
Dimensions:											
Seat		19W x 18.5D x 18H									
Back		19W x 19H									
Overall		22W x 24D									

Effective Sept 1, 2018 please add 4.5% to price list dated January 1, 2016

STANDARD SPECIFICATIONS

	Description
Seat	Contoured Seat with Waterfall Front Edge
Arm Pads	Black Poly
Frame	Polished Metal
Mechanism for Swivel Tilt Chair	Knee Tilt Mechanism with Easy Access Side Tension Adjustment
Base - Swivel	Polished Aluminum 5 Star Base
Carpet Casters	Hard Wheel Free Rolling Casters for Soft Surface

OPTIONAL SPECIFICATIONS

	Description	Price
No Arm Pads	Specify No Arm Pads	n/c
Arm Pads	White Poly	\$20
Upholstered Arm Pads	Black Leather	\$125
	Matching Arm and Seat Upholstery	\$125
Back Mesh Colors	See Attimo Mesh Colors on page 135	
Hard Floor Casters	Soft Wheel Braking Casters for Hard Floor	\$35
Carpet Glides	Nylon Glides for Carpet Surface	\$20
Cal 133 Fire Code	Fire Barrier Applied Under the Upholstery	+20%

COM/COL

COM/COL		COM	COL
		Yard	Square Feet
Seat	All Versions	.75	14
Back	Upholstered Back Panel	1.00	18
Complete Chair	Aluminum Back Frame Upholstered Back Panel	1.50	27
Back	Fully Upholstered Back Version	1.00	18
Complete Chair	Fully Upholstered Back Version	1.75	32

Effective Sept 1, 2018 please add 4.5% to price list dated January 1 2016



HL6518/48

HL6518/48/53

HL6718/48/53

Model #	Description										
		A/COM	B	C/COL	D	E	F	G	H	I	J/LEA
48" WIDE UNITS											
HL6500/48	Bench	\$1495	1550	1661	1771	1882	1992	2103	2213	2324	2434
HL6518/48	Sofa	\$2295	2392	2585	2779	2972	3166	3359	3553	3746	3940
Sofa with 53" High Walls:											
HL6518/48/53	Sofa with Back Wall	\$3295	3456	3777	4099	4420	4742	5063	5385	5706	6028
HL6718/48/53L	Sofa with Back Wall & Left Wall	\$3995	4202	4615	5028	5441	5854	6267	6680	7093	7506
HL6718/48/53R	Sofa with Back Wall & Right Wall	\$3995	4202	4615	5028	5441	5854	6267	6680	7093	7506
HL6718/48/53	Sofa with Back Wall & 2 Side Walls	\$4695	4947	5452	5956	6461	6965	7470	7974	8479	8983
HL6518/48/53LWF	Sofa with Markerboard Back Wall	\$3745	3836	4019	4201	4384	4566	4749	4931	5114	5296
72" WIDE UNITS											
HL6500/72	Bench	\$1995	2067	2211	2355	2499	2643	2787	2931	3075	3219
HL6518/72	Sofa	\$3295	3425	3685	3945	4205	4465	4725	4985	5245	5505
Sofa with 53" High Walls:											
HL6518/72/53	Sofa with Back Wall	\$4495	4722	5176	5630	6084	6538	6992	7446	7900	8354
HL6718/72/53L	Sofa with Back Wall & Left Wall	\$5195	5468	6013	6559	7104	7650	8195	8741	9286	9832
HL6718/72/53R	Sofa with Back Wall & Right Wall	\$5195	5468	6013	6559	7104	7650	8195	8741	9286	9832
HL6718/72/53	Sofa with Back Wall & 2 Side Walls	\$5895	6214	6851	7488	8125	8762	9399	10036	10673	11310
HL6518/72/53LW	Sofa with Markerboard Back Wall	\$5245	5369	5618	5866	6115	6363	6612	6860	7109	7357
90 DEGREE CORNER UNITS											
HL6518C/30	Corner Seat	\$2295	2408	2635	2861	3088	3314	3541	3767	3994	4220
HL6518C/30/53	Corner Seat with 53" Walls	\$3695	3894	4293	4691	5090	5488	5887	6285	6684	7082
90 DEGREE FULLY UPHOLSTERED RAISED CORNER TABLE											
HL6518CT/30	Upholstered 30 x 30 x 23H Corner Table	\$1465	1530	1659	1788	1917	2046	2175	2304	2433	2562
HL6518CT/30/53	Upholstered 30 x 30 x 23H Corner Table with 53H Walls	\$2865	3020	3329	3638	3947	4256	4565	4874	5183	5492
OPTIONAL SURFACE FOR CORNER TABLE - To place on top of Upholstered Corner Table											
50-3030-910	30 x 30 Clear Glass Table Surface	\$265									
K3030-01GO	30 x 30 Laminate Table Surface - Designer White	\$275									
JOINING WALLS											
HL68-3153	31" Wide Joining Wall, 53" High	\$850	898	994	1090	1186	1282	1378	1474	1571	1667
HL68-3653	36" Wide Joining Wall, 53" High	\$1050	1106	1217	1328	1439	1550	1661	1772	1883	1994
HL68-4853	48" Wide Joining Wall, 53" High	\$1100	1170	1311	1452	1593	1734	1875	2016	2157	2298
HL68-7253	72" Wide Joining Wall, 53" High	\$1500	1611	1833	2055	2277	2499	2721	2943	3165	3388

Dimensions: See COM/COL Section

Note:
LEFT or RIGHT Location of Walls are identified from Sitting in the Chair BENCHES
WITH BACKREST can be used Stand-Alone or Back-to-Back with a Unit with a Rear Wall, to share the Common Wall

Effective Sept 1, 2018 please add 4.5% to price list dated January 1, 2016

STANDARD SPECIFICATIONS

	Description
Construction	CARB Compliant Plywood Construction
Seat and Back Cushion	Fixed
Legs	Polished Metal 5" High Cylindrical Legs
Fabric Direction	All Fabric is RAILROADED. At Special Request Fabric can be upholstered Off The Roll but this could add approximately 25% to Fabric requirement and require additional Upholstery Seams For COL for Seat and Back, multiply COM fabric yd by 18. Additional joining seams will be required Walls are not available in Leather.
Identification of Wall Side	Left or Right location of walls is identified from seated position

OPTIONAL SPECIFICATIONS

	Description	Price
Multiple Fabric Selections	Select different Fabrics for Seat Back and Walls	n/c
Power and Data	See Page 127 Full Price List	
Height Adjustable Legs	Suggested for use When Ganging Units With Walls or Joining Walls if the Floor is not Level. These can be Retrofitted.	+20%
Cal 133 Fire Code	Fire Barrier Applied Under the Upholstery	+20%
Ganging Connector Set	To Gang 2 Units	\$95

COM/COL/DIMENSIONS

		COM	COM	COM	Dimensions (in Inches)				
		Walls/ Yd	Seat/ Yd	Back/ Yd	Width	Depth	Seat Height from Floor	Back Height from Floor	Wall Height from Floor
48" WIDE UNITS									
HL6500/48	Bench		2.71		48.00	30.00	17.00		
HL6518/48	Sofa		2.71	2.37	48.00	30.00	17.00	35.00	
Sofa with 53" High Walls:									
HL6518/48/53	Sofa with Back Wall	3.42	2.80	1.68	48.00	31.00	17.00	35.00	53.00
HL6718/48/53L	Sofa with Back Wall & Left Wall	5.66	2.80	1.68	49.00	31.00	17.00	35.00	53.00
HL6718/48/53R	Sofa with Back Wall & Right Wall	5.66	2.80	1.68	49.00	31.00	17.00	35.00	53.00
HL6718/48/53	Sofa with Back Wall & 2 Side Walls	7.91	2.80	1.68	50.00	31.00	17.00	35.00	53.00
HL6518/48/53LWF	Sofa with Markerboard Back Wall		2.80	1.68	48.00	31.00	17.00	35.00	53.00
72" WIDE UNITS									
HL6500/72	Bench		3.54		72.00	30.00	17.00		
HL6518/72	Sofa		3.54	2.85	72.00	30.00	17.00	35.00	
Sofa with 53" High Walls:									
HL6518/72/53	Sofa with Back Wall	5.05	3.61	2.49	72.00	31.00	17.00	35.00	53.00
HL6718/72/53L	Sofa with Back Wall & Left Wall	7.30	3.61	2.49	73.00	31.00	17.00	35.00	53.00
HL6718/72/53R	Sofa with Back Wall & Right Wall	7.30	3.61	2.49	73.00	31.00	17.00	35.00	53.00
HL6718/72/53	Sofa with Back Wall & 2 Side Walls	9.55	3.61	2.49	74.00	31.00	17.00	35.00	53.00
HL6518/72/53LW	Sofa with Markerboard Back Wall		3.61	2.49	72.00	31.00	17.00	35.00	53.00
90 DEGREE CORNER UNITS									
HL6518C/30	Corner Seat		2.09	3.48	30.00	30.00	17.00	35.00	
HL6518C/30/53	Corner Seat with 53" High Back Walls	4.23	2.09	3.48	31.00	31.00	17.00	35.00	53.00

Note:

Walls are not Available in Leather. For COL for Seat and Back, Multiply COM Fabric Yard by 18. Additional Joining Seams will be Required

JOIN ME

Effective Sept 1, 2018 please add 4.5% to price list dated January 1 2016



JM12250-400



JM12240-400

Model #	Description	A/COM	B	C/COL	D	E	F	G	H	I	J/LEA
RAISED BACK											
JM12240-400	Raised Poly Back	\$649	664	694	724	754	784	814	844	874	904
JM12240-400UBR	Raised Fully Upholstered Back	\$709	734	784	834	884	934	984	1034	1084	1134

Dimensions:
 Seat 18W x 19D x 18H
 Back 23.5W x 17H
 Overall 23.5W x 23D x 34H
 Arm Height 24H at front of arm and 26H at rear
 Nesting with Seat in up Position 23D. For each additional chair add 7"

LARGE BACK											
JM12250-400	Mesh Large Back	\$749	767	802	837	872	907	942	977	1012	1047
JM12250-400UBR	Upholstered Large Back	\$829	862	927	992	1057	1122	1187	1252	1317	1382

Dimensions:
 Seat 18W x 19D x 18H
 Back 18W x 17H
 Overall 23.5W x 25D x 35H
 Arm Height 24H at Front of Arm and 26H at Rear
 Nesting with Seat in up Position 23D. For Each Additional Chair add 8"

Effective Sept 1, 2018 please add 4.5% to price list dated January 1, 2016

STANDARD SPECIFICATIONS

	Description
Seat	Flip up for Nesting
Poly Back	Durable Molded Black Poly
Slanted Arm	Avoids Interference with the Work Surface
Arm Pads	Durable Poly Construction
Frame	Silver Powdercoat
Carpet Casters	Hard Wheel Free Rolling Casters for Soft Surface

OPTIONAL SPECIFICATIONS

	Description	Price
Back Mesh Colors	See "Attimo Mesh Colors" on page 135	n/c
Polished Metal Frame	Special Order. Check Lead Time	\$100
Hard Floor Casters	Soft Wheel Braking Casters for Hard Floor	\$35
Cal 133 Fire Code	Fire Barrier Applied Under the Upholstery	+20%

COM/COL

COM/COL		COM	COL
		Yard	Square Feet
JM12240-400, JM12250-400	Seat Only	.75	14
JM12240-400UBR	Seat	.75	14
	Back Only	1.00	18
	Complete Chair	1.00	18
JM12250-400UBR	Seat	.75	14
	Back Only	1.00	18
	Complete Chair	1.50	27

Effective Sept 1, 2018 please add 4.5% to price list dated January 1 2016



LC1020

Shown with Optional Upholstered Arm Pads
& Contrasting Seat Fabric



LC1040

Shown with Optional Upholstered Arm Pads

Model #	Description	A/COM	B	C/COL	D	E	F	G	H	I	J/LEA
LC1020	Executive Mid Back	\$2295	2350	2460	2570	2680	2790	2900	3010	3120	3230
LC1040	Executive High Back	\$2795	2850	2960	3070	3180	3290	3400	3510	3620	3730

Dimensions:

Seat	20W x 20D x 16-21H
Medium Back	20W x 20H
High Back	20W x 29H
Base	28 Diameter

Effective Sept 1, 2018 please add 4.5% to price list dated January 1, 2016

STANDARD SPECIFICATIONS

	Description
Upholstery Piping	Around Perimeter of Seat, Back and Arm Pads
Adjustable Arms	Adjusts 4" in Height Pad Adjusts 2" to the Side and 3" Forward Polished Aluminum Stem
Arm Pads	Soft Durable PU Pads with Option for Upholstery
Integrated Sliding Seat	Adds 2" to Seat Depth
Mechanism	Synco-Dynamic Mechanism Provides Continuous Back Support
Base	Polished Aluminum 5 Star Base
Carpet Casters	Hard Wheel Free Rolling Casters for Soft Surface

OPTIONAL SPECIFICATIONS

	Description	Price
Upholstered Arm Pads	Black Leather	\$200
	Matching Arm and Seat Upholstery	\$200
Contrasting Piping	Different Color from Chair Upholstery For COM for Contrasting Piping, Contact Customer Service for Calculation Based on Type of COM and Number of Chairs	\$100
Contrasting Seat Fabric	Seat Fabric Different from Back Fabric	\$125
Hard Floor Casters	Soft Wheel Braking Casters for Hard Floor	\$35
Carpet Glides	Nylon Glides for Carpet Surface	\$20
Cal 133 Fire Code	Fire Barrier Applied Under the Upholstery	+20%

COM/COL

		COM	COL
		Yard	Square Feet
LC1020/LC1040	Complete Chair	3.00	54
	Seat	2.50	45
	Back	2.00	36
	No Extra COM or COL is Required for Arm Pads		

LITTLE PERILLO

Effective Sept 1, 2018 please add 4.5% to price list dated January 1 2016



LP18210

Shown with Tapered White Legs



LP18610



LP18510

Model #	Description	A/COM	B	C/COL	D	E	F	G	H	I	J/LEA
4 LEG CHAIR WITH TAPERED METAL LEGS (SELECT WHITE OR POLISHED)											
LP18200	Poly Shell	\$695									
LP18210	Poly Shell with Upholstered Seat Pad	\$895	910	940	970	1000	1030	1060	1090	1120	1150
LP18250	Fully Upholstered Shell	\$1195	1235	1315	1395	1475	1555	1635	1715	1795	1875
4 LEG CHAIR WITH TAPERED WOOD LEGS											
LP18200/WDL	Poly Shell	\$995									
LP18210/WDL	Poly Shell with Upholstered Seat Pad	\$1195	1210	1240	1270	1300	1330	1360	1390	1420	1450
LP18250/WDL	Fully Upholstered Shell	\$1495	1535	1615	1695	1775	1855	1935	2015	2095	2175
SWIVEL CHAIR WITH 4 STAR BASE ON GLIDES & AUTO RETURN											
Standard Chair Height		Seat Height 17.5"									
LP18500	Poly Shell	\$745									
LP18510	Poly Shell with Upholstered Seat Pad	\$945	960	990	1020	1050	1080	1110	1140	1170	1200
LP18550	Fully Upholstered Shell	\$1245	1285	1365	1445	1525	1605	1685	1765	1845	1925
SWIVEL CHAIR WITH ROUND TULIP BASE & AUTO RETURN											
Standard Chair Height		Seat Height 17.5"									
LP18300	Poly Shell	\$945									
LP18310	Poly Shell with Upholstered Seat Pad	\$1145	1160	1190	1220	1250	1280	1310	1340	1370	1400
LP18350	Fully Upholstered Shell	\$1445	1485	1565	1645	1725	1805	1885	1965	2045	2125
SWIVEL CHAIR & STOOLS WITH 5 STAR BASE ON CASTERS											
Desk/Lounge Height Chair		Standard Setting at Desk Height 17.5" Unless Specified									
LP18600	Poly Shell	\$845									
LP18610	Poly Shell with Upholstered Seat Pad	\$1045	1060	1090	1120	1150	1180	1210	1240	1270	1300
LP18650	Fully Upholstered Shell	\$1345	1385	1465	1545	1625	1705	1785	1865	1945	2025
Stool Height		Specify Counter Height 23", Bar Height 29"									
LP18600MT	Poly Shell	\$985									
LP18610MT	Poly Shell with Upholstered Seat Pad	\$1185	1200	1230	1260	1290	1320	1350	1380	1410	1440
LP18650MT	Fully Upholstered Shell	\$1485	1525	1605	1685	1765	1845	1925	2005	2085	2165

Dimensions:
 Seat 18W x 18D
 Overall Shell 24W x 22D x 15H
 Seat Height 4 Leg Model 17.5H

Effective Sept 1, 2018 please add 4.5% to price list dated January 1, 2016

STANDARD SPECIFICATIONS

	Description
Poly Shell	White Molded Textured Poly
Zipper for Upholstered Version	See Page 137
Auto Return Mechanism	For Swivel 4 Star Base Version. Chair Returns to Original Orientation After Use
Center Column for Swivel Chairs	Polished Metal
Footring for Stool Versions	Polished 20" Diameter with Simple Rotation/Lock for Height Variation of Footring
Tapered Metal Legs	Select Polished or White
Tapered Wood Legs	Natural Maple Finish
4 Star and 5 Star Base	Polished Metal
Carpet Glides	Nylon Glides for Carpet Surface
Carpet Casters	Hard Wheel Free Rolling Casters for Soft Surface
Round Tulip Base	Polished Metal

OPTIONAL SPECIFICATIONS

	Description	Price
Hard Floor Glides	Glides with Soft Surface for Hard Floor	\$45
Hard Floor Casters	Soft Wheel Braking Casters for Hard Floor	\$35

COM/COL

	COM	COL
	Yard	Square Feet
Seat Pad	.75	14
Fully Upholstered Shell*	2.00	36

*Perillo and Little Perillo models are defined by their sweeping compound curves. This creates limitations on which upholstery materials can be applied to a Fully Upholstered Little Perillo and still pass our stringent quality standards. In general, upholstery materials that stretch in both directions and have minimum backing tend to perform better in our tests. At present, this list includes the following approved fabrics

Approved fabrics:

- Blazer Wool (Camira)
- Florentino (Mayer)
- Lariat (Maharam)
- Silica (Momentum)
- Spacer Mesh (Mayer)

Approval process for new fabrics

Criteria:

Potential order must be for a minimum of 12 chairs. Customer/designer to submit 2 yards of material for testing/approval. Dauphin to provide approval/non-approval within 2 weeks from receipt of fabric

Effective Sept 1, 2018 please add 4.5% to price list dated January 1 2016



LN81800

Shown with Optional Polished Base



LN81785



LN81465

Model #	Description	A/COM	B	C/COL	D	E	F	G	H	I	J/LEA
---------	-------------	-------	---	-------	---	---	---	---	---	---	-------

SWIVEL TILT

Raised Mesh Back

LN81800	Mesh Back Desk Chair	\$710	723	748	773	798	823	848	873	898	923
LN81800M	Mesh Back Medium Stool	\$830	843	868	893	918	943	968	993	1018	1043
LN81800T	Mesh Back Tall Stool	\$850	863	888	913	938	963	988	1013	1038	1063

Fully Upholstered Back

LN81885	Fully Upholstered Back Desk Chair	\$730	760	820	880	940	1000	1060	1120	1180	1240
LN81885M	Fully Upholstered Back Medium Stool	\$850	880	940	1000	1060	1120	1180	1240	1300	1360
LN81885T	Fully Upholstered Back Tall Stool	\$870	900	960	1020	1080	1140	1200	1260	1320	1380

Dimensions:

Seat - Desk Height Chair	18W x 18D x 16-21H
Seat - Medium Height Stool	18W x 18D x 19-26H
Seat - Tall Height Stool	18W x 18D x 23-32H
Raised Mesh Back	18W x 18H
Fully Upholstered Back	18W x 18H
Base	27 Diameter

SLED

LN81760	Mesh Back	\$685	698	723	748	773	798	823	848	873	898
LN81785	Fully Upholstered Back	\$705	735	795	855	915	975	1035	1095	1155	1215

Dimensions:

Seat	18W x 18D x 18H
Raised Mesh Back	18W x 18H
Fully Upholstered Back	18W x 18H
Overall	22W x 24D

4 POST

Raised Mesh Back

LN81420	With 4 Glides	\$685	698	723	748	773	798	823	848	873	898
LN81440	With 2 Glides 2 Casters	\$705	718	743	768	793	818	843	868	893	918
LN81460	With 4 Casters	\$725	738	763	788	813	838	863	888	913	938

Fully Upholstered Back

LN81425	With 4 Glides	\$705	735	795	855	915	975	1035	1095	1155	1215
LN81445	With 2 Glides 2 Casters	\$725	755	815	875	935	995	1055	1115	1175	1235
LN81465	With 4 Casters	\$745	775	835	895	955	1015	1075	1135	1195	1255

Dimensions:

Seat	18W x 18D x 18H
Raised Mesh Back	18W x 18H
Fully Upholstered Back	18W x 18H
Overall	22W x 24D

Effective Sept 1, 2018 please add 4.5% to price list dated January 1, 2016

STANDARD SPECIFICATIONS

	Description
Available on a Beam	See Page 26
Arm Pads	Soft Durable Rubber Pads
Frame	Polished Metal
Footring for Stool Version	Polished 20" Diameter with Simple Rotation/Lock for Height Variation of Footring
Carpet Casters	Hard Wheel Free Rolling Casters for Soft Surface
Carpet Glides	Nylon Glides for Carpet Surface
Base	Black Nylon 5 Star Base

OPTIONAL SPECIFICATIONS

	Description	Price
No Arm Pads	For Full Upholstered Back Versions Only, Specify "No Arm Pads"	n/c
Back Mesh Colors	See "Attimo Mesh Colors" on page 135	n/c
Hard Floor Glides	Glides with Soft Surface for Hard Floor	\$45
Hard Floor Casters	Soft Wheel Braking Casters for Hard Floor	\$35
Cal 133 Fire Code	Fire Barrier Applied Under the Upholstery	+20%
Base	Polished Aluminum 5 Star Base	\$135

COM/COL

COM/COL		COM	COL
		Yard	Square Feet
Seat	All Chairs	.75	14
Complete Chair	Mesh Back Version	.75	14
Back	Fully Upholstered Back Version	1.00	18
Complete Chair	Fully Upholstered Back Version	1.75	32

Effective Sept 1, 2018 please add 4.5% to price list dated January 1 2016



L033200X

Shown with Optional DA74WA-100 Arms and Polished Base



L033300



L033060

Model #	Description	A/COM	B	C/COL	D	E	F	G	H	I	J/LEA
TASK CHAIR/TASK STOOL											
L033200X	Task Chair	\$959	972	997	1022	1047	1072	1097	1122	1147	1172
L033200XMv	Medium Stool	\$1079	1092	1117	1142	1167	1192	1217	1242	1267	1292
Dimensions:											
Seat - Desk Height Chair		18W x 18D x 16-21H									
Seat - Medium Height Stool		18W x 18D x 19-26H									
Seat - Tall Height Stool		18W x 18D x 23-32H									
Back		19W x 21-24H									
Base		27 Diameter									
TASK CHAIR WITH HEADREST											
L033400	Task Chair with Headrest	\$1149	1162	1187	1212	1237	1262	1287	1312	1337	1362
Dimensions:											
Back with Headrest		19W x 30-33H									
Seat		18W x 18D x 16-21H									
Base		27 Diameter									
SWIVEL TILT											
L033300	Desk Chair	\$810	823	848	873	898	923	948	973	998	1023
L033300-660	Medium Stool	\$930	943	968	993	1018	1043	1068	1093	1118	1143
L033300-680	Tall Stool	\$950	963	988	1013	1038	1063	1088	1113	1138	1163
Dimensions:											
Seat - Desk Height Chair		18W x 18D x 16-21H									
Seat - Medium Height Stool		18W x 18D x 19-26H									
Seat - Tall Height Stool		18W x 18D x 23-32H									
Back		17.5W x 17.5H									
Base		27 Diameter									
SLED											
L033060	Sled Base	\$785	798	823	848	873	898	923	948	973	998
Dimensions:											
Seat		18W x 18D x 18H									
Back		17.5W x 17.5H									
Overall		22W x 24D									
4 POST											
L033420	With 4 Glides	\$785	798	823	848	873	898	923	948	973	998
L033440	With 2 Glides 2 Casters	\$805	818	843	868	893	918	943	968	993	1018
L033460	With 4 Casters	\$825	838	863	888	913	938	963	988	1013	1038
Dimensions:											
Seat		18W x 18D x 18H									
Back		17.5W x 17.5H									
Overall		22W x 24D									

Effective Sept 1, 2018 please add 4.5% to price list dated January 1, 2016

Model #	Description	A/COM	B	C/COL	D	E	F	G	H	I	J/LEA
Upholstered Back Pads	For Task Chair	\$150	165	195	225	255	285	315	345	375	405
Upholstered Back Pads	For Task Chair with Headrest	\$200	219	256	294	331	369	406	444	481	519

STANDARD SPECIFICATIONS

Description

Available on a Beam	See Page 27
For all Versions:	
Elasticized Mesh Back	For Back, Lumbar and Headrest
Frame	Polished Metal
Carpet Casters	Hard Wheel Free Rolling Casters for Soft Surface
Footring for Stool Version	Polished 20" Diameter with Simple Rotation/Lock for Height Variation of Footring
For Task Versions Only:	
Height Adjustable Back	Provides 3" Adjustment Range for Back & Lumbar (on Task Chair Version Only)
Pivoting Lumbar Support	
Integrated Sliding Seat	Provides 4" Range of Seat Depth Adjustment
Syncro-Quickshift ® Mechanism	Seat and Back Move in Unison to Provide Continuous Lumbar Support, While One Small Turn of the Knob Ensures Optimum Comfort for a Wide Range of Body Weights.
Base	Black Nylon 5 Star Base

OPTIONAL SPECIFICATIONS

Description

Price

For All Versions:		
Elasticized Mesh Back	Choose Black/Black or Black/Silver stripe	n/c
Hard Floor Casters	Soft Wheel Braking Casters for Hard Floor	\$35
Base	Polished Aluminum 5 Star Base	\$135
Cal 133 Fire Code	Fire Barrier Applied Under Seat Upholstery	+20%
For Task Versions Only:		
DA44WA-100 Arms	Width Adjustable, Fixed Height Polished Stem, Soft Durable PU Pads	\$245
DA74WA-100 Arms	Adjusts Height and Width, Pad Pivots to the Forward, Back and Rotates 30 °, Polished Stem, Soft Durable PU Pads	\$255
DA27WA Arms	Adjusts Height and Width Black Stem, Soft Durable PU Pads	\$140
Base	Polished Aluminum 5 Star Base	\$135
Upholstered Arm Pads	For DA74 and DA27 only - in same Leather as Chair	\$95

COM/COL

COM

COL

Yard

Square Feet

Seat	All Models	.75	14
Upholstered Back Pad	For Task Chair	1.30	23
Upholstered Back Pad	For Task Chair with Headrest	2.00	36
Upholstered Arm Pads		0.50	9

OCTAVE STOOLS

Effective Sept 1, 2018 please add 4.5% to price list dated January 1 2016



OC9288/CH/R



OC9288/CH/SC



OC9288/CH/RM/CH



OC9288/CH/PU



OC9288/CH/FPPU

Model #	Description	A/COM	B	C/COL	D	E	F	G	H	I	J/LEA
---------	-------------	-------	---	-------	---	---	---	---	---	---	-------

POLISHED TULIP BASE, FOOTREST & AUTO RETURN

Upholstered Seats:

OC9288/CH/R	Round Upholstered Seat with Piping	\$529	552	597	642	687	732	777	822	867	912
OC9288/CH/SC	Square Upholstered Seat - Checkered	\$529	552	597	642	687	732	777	822	867	912
OC9288/CH/SH	Square Upholstered Seat - Striped Stitch with Piping	\$529	552	597	642	687	732	777	822	867	912

Molded Seats

OC9288/CH/RM/CH	Polished Molded Seat	\$499
OC9288/CH/RM/WH	White Molded Seat	\$499
OC9288/CH/RM/GR	Green Molded Seat	\$499
OC9288/CH/RM/OR	Orange Molded Seat	\$499

Polyurethane Seat:

OC9288/CH/PU	Round Polyurethane Seat	\$459
OC9288/CH/FPPU	Saddle Shaped Seat	\$489

WHITE TULIP BASE, FOOTREST & AUTO RETURN

Upholstered Seats:

OC9288/WH/R	Round Upholstered Seat with Piping	\$629	652	697	742	787	832	877	922	967	1012
OC9288/WH/SC	Square Upholstered Seat - Checkered	\$629	652	697	742	787	832	877	922	967	1012
OC9288/WH/HT	Square Upholstered Seat - Striped Stitch with Piping	\$629	652	697	742	787	832	877	922	967	1012

Molded Seats

OC9288/WH/RM/CH	Polished Molded Seat	\$599
OC9288/WH/RM/WH	White Molded Seat	\$599
OC9288/WH/RM/GR	Green Molded Seat	\$599
OC9288/WH/RM/OR	Orange Molded Seat	\$599

Round Upholstered Seat
 Square Upholstered Seat
 Molded Seat
 Polyurethane Seat
 Saddle Shaped Polyurethane Seat
 For All Versions:

16D x 19.5-28H
 14W x 14D x 19.5-28H
 14D x 19.5-28H
 13.5D x 19.5-28H
 15W x 15D x 19.5-28H
 Footrest is 16" below the seat
 Base is 15.5"D

OCTAVE STOOLS

Effective Sept 1, 2018 please add 4.5% to price list dated January 1, 2016

STANDARD SPECIFICATIONS

	Description
Adjustable Seat Height	Ranges from Chair Height to Bar Stool Height
Auto-Return Mechanism	Seat Returns to Full Height and Original Orientation after User Leaves the Seat
Seat Upholstery	See Options Below
Integrated Footrest Support	In Same Finish as the Tulip Base
Cal 133 Fire Code	Standard for Molded Seat Versions

OPTIONAL SPECIFICATIONS

	Description	Price
Round Seat Upholstery	Piping in Same Color as Seat Upholstery	n/c
	Piping in Different Color	\$35
Square Seat Upholstery	Checked Pattern Single Color	n/c
	Checked Pattern 2 Colors	\$25
	Stripe Stitch with Piping in Same Color	n/c
	Stripe Stitch with Piping in Different Color	\$25
Jury Base - Polished Finish	Requires On-Site Installation	\$80
Cal 133 Fire Code	Fire Barrier Applied Under the Upholstery For Upholstered Versions	+20%

COM/COL

	COM	COL
	Yard	Square Feet
Round Seat	1.00	18
Square Seat	1.00	18
Piping for Round Seat	1.00	18
Piping for Square Seat	1.00	18

Effective Sept 1, 2018 please add 4.5% to price list dated January 1 2016

DISCONTINUED

Effective Sept 1, 2018 please add 4.5% to price list dated January 1, 2016

DISCONTINUED

PERILLO

Effective Sept 1, 2018 please add 4.5% to price list dated January 1 2016



PR18125

Model #	Description	A/COM	B	C/COL	D	E	F	G	H	I	J/LEA
PR18120	Molded Shell	\$4795									
PR18125	Molded Shell with Upholstered Seat Pad	\$4995	5020	5070	5120	5170	5220	5270	5320	5370	5420
PR18130	Fully Upholstered Over Molded Shell	\$5295	5370	5520	5670	5820	5970	6120	6270	6420	6570

Dimensions:
 Seat 20W x 19D x 17H
 Back 28W x 16H
 Overall 32W x 25D

Effective Sept 1, 2018 please add 4.5% to price list dated January 1, 2016

STANDARD SPECIFICATIONS

Description

Molded Shell	White Gloss Thermo Shell
Auto Return Mechanism	Chair Returns to Original Orientation After Use
Base	Polished Metal

OPTIONAL SPECIFICATIONS

COM/COL

COM

COL

		Yard	Square Feet
PR18125	Upholstered Seat Pad	1.00	18
PR18130*	Fully Upholstered Over Molded Shell	3.5	63

*Perillo and Little Perillo models are defined by their sweeping compound curves. This creates limitations on which upholstery materials can be applied to a Fully Upholstered Perillo and still pass our stringent quality standards. In general, upholstery materials that stretch in both directions and have minimum backing tend to perform better in our tests. At present, this list includes the following approved fabrics

Approved fabrics:

- Blazer Wool (Camira)
- Florentino (Mayer)
- Lariat (Maharam)
- Silica (Momentum)
- Spacer Mesh (Mayer)

Approval process for new fabrics

Criteria:

Potential order must be for a minimum of 12 chairs. Customer/designer to submit 3.5 yards of material for testing/approval. Dauphin to provide approval/non-approval within 2 weeks from receipt of fabric

Effective Sept 1, 2018 please add 4.5% to price list dated January 1 2016



RL18152/KNT



RL18152/CST/KNT

Model #	Description	A/COM	B	C/COL	D	E	F	G	H	I	J/LEA
KNIT SWIVEL CONFERENCE CHAIR											
RL18150/KNT	4 Star Swivel Base on Glides, No Arms	\$1545									
RL18152/KNT	4 Star Swivel Base on Glides with Arms	\$1845									
RL18150/CST/KNT	5 Star Swivel Base with Casters, No Arms	\$1545									
RL18152/CST/KNT	5 Star Swivel Base with Casters & Arms	\$1845									
UPHOLSTERED SWIVEL CONFERENCE CHAIR											
RL18150	4 Star Swivel Base on Glides, No Arms	\$1845	1903	2018	2133	2248	2363	2478	2593	2708	2823
RL18152	4 Star Swivel Base on Glides with Arms	\$2145	2203	2318	2433	2548	2663	2778	2893	3008	3123
RL18150/CST	5 Star Swivel Base with Casters, No Arms	\$1845	1903	2018	2133	2248	2363	2478	2593	2708	2823
RL18152/CST	5 Star Swivel Base with Casters & Arms	\$2145	2203	2318	2433	2548	2663	2778	2893	3008	3123

Dimensions:
 Seat 20W x 17D x 18H
 Back 20W x 16H
 Overall 22W x 22D x 38H

Effective Sept 1, 2018 please add 4.5% to price list dated January 1, 2016

STANDARD SPECIFICATIONS

	Description
Rib Knit Upholstery	Soft Knit Upholstery
Arm Caps	Specify Polished, Black or Ivory
Frame	Polished Metal
Carpet Glides	Nylon Glides for Carpet Surface
Carpet Casters	Hard Wheel Free Rolling Casters for Soft Surface
Cal 133 Fire Code	Standard for Rib Knit Version
Base	Polished Aluminum

OPTIONAL SPECIFICATIONS

	Description	Price
Rib Knit Colors	See Page 136	n/c
Fabric or Leather Upholstery	Dauphin Fabrics and Leather or Approved COM/COL	n/c
Hard Floor Glides	Glides with Soft Surface for Hard Floor	\$45
Hard Floor Casters	Soft Wheel Braking Casters for Hard Floor	\$35
Cal 133 Fire Code	Fire Barrier Applied Under the Upholstery for Upholstered Version	+20%

COM/COL

COM/COL		COM	COL
		Yard	Square Feet
Complete Chair	Upholstered Version	1.50	27

Effective Sept 1, 2018 please add 4.5% to price list dated January 1 2016



SM16683M



SM16683



SM16900



SM16403

Model #	Description	A/COM	B	C/COL	D	E	F	G	H	I	J/LEA
---------	-------------	-------	---	-------	---	---	---	---	---	---	-------

SWIVEL TILT

SM16680	Desk Chair, No Arms	\$609	637	692	747	802	857	912	967	1022	1077
SM16682	Desk Chair, Poly Arms	\$644	672	727	782	837	892	947	1002	1057	1112
SM16683	Desk Chair, Polished Arms	\$799	827	882	937	992	1047	1102	1157	1212	1267
SM16680M	Medium Stool, No Arms	\$729	757	812	867	922	977	1032	1087	1142	1197
SM16682M	Medium Stool, Poly Arms	\$764	792	847	902	957	1012	1067	1122	1177	1232
SM16683M	Medium Stool, Polished Arms	\$919	947	1002	1057	1112	1167	1222	1277	1332	1387
SM16680T	Tall Stool, No Arms	\$749	777	832	887	942	997	1052	1107	1162	1217
SM16682T	Tall Stool, Poly Arms	\$784	812	867	922	977	1032	1087	1142	1197	1252
SM16683T	Tall Stool, Polished Arms	\$939	967	1022	1077	1132	1187	1242	1297	1352	1407

Dimensions:
 Seat - Desk Height Chair 18W x 18D x 16-21H
 Seat - Medium Height Stool 18W x 18D x 19-26H
 Seat - Tall Height Stool 18W x 18D x 23-32H
 Back 18W x 18H
 Overall with No Arms 18W x 19D
 Overall with Arms 22W x 19D
 Desk Chair Base 25D
 Stool Base 27D

4 POST CHAIR

SM16400	No Arms	\$609	637	692	747	802	857	912	967	1022	1077
SM16402	Poly Arms	\$644	672	727	782	837	892	947	1002	1057	1112
SM16403	Polished Arms	\$799	827	882	937	992	1047	1102	1157	1212	1267

Dimensions:
 Seat 18W x 18D x 18H
 Back 18W x 18H
 Overall with No Arms 18W x 19D
 Overall with Arms 22W x 19D

4 POST STOOL

SM16900	Bar Stool, no Arms	\$859	\$887	\$942	\$997	\$1052	\$1107	\$1162	\$1217	\$1272	\$1327
---------	--------------------	-------	-------	-------	-------	--------	--------	--------	--------	--------	--------

Dimensions:
 Seat 18W x 18D x 29H
 Back 18W x 11H
 Overall 18W x 21D

Effective Sept 1, 2018 please add 4.5% to price list dated January 1, 2016

STANDARD SPECIFICATIONS

	Description
Available on a Beam	See Page 28
Horizontal Stitching Detail	For Seat and Front of Back Upholstery. Stitching Detail Will Not Be Applied Where Fabric has Horizontal Lines or Conflicting Pattern
Frame	Polished Metal
Footring for Swivel Tilt Stool	Polished 20" Diameter with Simple Rotation/Lock for Height Variation of Footring
Carpet Casters	Hard Wheel Free Rolling Casters for Soft Surface
Carpet Glides	Nylon Glides for Carpet Surface
Base	Polished Aluminum 5 Star Base

OPTIONAL SPECIFICATIONS

	Description	Price
Plain Upholstery Detail	No Horizontal Stitch	n/c
Upholstered Arm Wrap	In COL to Match Chair Upholstery	\$125
Hard Floor Casters	Soft Wheel Braking Casters for Hard Floor	\$35
Hard Floor Glides	Glides with Soft Surface for Hard Floor	\$45
Cal 133 Fire Code	Fire Barrier Applied Under the Upholstery	+20%

COM/COL

	COM	COL
	Yard	Square Feet
All Models Except 4 Post Stool	1.30	23
No extra COM/COL is Required for Arm Wraps		
4 Post Stool	1.00	18

Effective Sept 1, 2018 please add 4.5% to price list dated January 1 2016



SY16201
Shown with Optional Wood Arm Cap

Model #	Description	A/COM	B	C/COL	D	E	F	G	H	I	J/LEA
CHAIR AND SOFAS											
SY16201	Single Seat Lounge Chair	\$1845	1983	2258	2533	2808	3083	3358	3633	3908	4183
SY16202	Two Seat Sofa	\$2845	3014	3351	3689	4026	4364	4701	5039	5376	5714
SY16203	Three Seat Sofa	\$3845	4058	4483	4908	5333	5758	6183	6608	7033	7458
OTTOMAN AND BENCHES											
SY16160	Ottoman	\$995	1025	1085	1145	1205	1265	1325	1385	1445	1505
SY16260	Two Seat Bench	\$1475	1540	1670	1800	1930	2060	2190	2320	2450	2580
SY16360	Three Seat Bench	\$1965	2075	2295	2515	2735	2955	3175	3395	3615	3835
BENCHES WITH ARMS											
SY16270	Two Seat Bench with Arms	\$1715	1805	1985	2165	2345	2525	2705	2885	3065	3245
SY16370	Three Seat Bench with Arms	\$2205	2340	2610	2880	3150	3420	3690	3960	4230	4500
BENCHES WITH ARMS AND TABLE											
SY16370/61/CST	Two Seat Bench, Arms & Customer's Own Table Top	\$2205	2340	2610	2880	3150	3420	3690	3960	4230	4500
SY16370/61/GLS	Two Seat Bench, Arms & Glass Table	\$2555	2690	2960	3230	3500	3770	4040	4310	4580	4850
SY16370/61/GRN	Two Seat Bench, Arms & Granite Table	\$3905	4040	4310	4580	4850	5120	5390	5660	5930	6200
BENCHES WITH TABLE											
SY16360/61/CST	Two Seat Bench & Customer's Own Table Top	\$1965	2075	2295	2515	2735	2955	3175	3395	3615	3835
SY16360/61/GLS	Two Seat Bench & Glass Table Top	\$2315	2425	2645	2865	3085	3305	3525	3745	3965	4185
SY16360/61/GRN	Two Seat Bench & Granite Table Top	\$3665	3775	3995	4215	4435	4655	4875	5095	5315	5535
TABLES											
SY16161/CST	Square Table & Customer's Own Table Top	\$995	1025	1085	1145	1205	1265	1325	1385	1445	1505
SY16161/GLS	Square Table & Glass Top	\$1345	1375	1435	1495	1555	1615	1675	1735	1795	1855
SY16161/GRN	Square Table & Granite Top	\$2695	2725	2785	2845	2905	2965	3025	3085	3145	3205
SY16261/CST	Rectangular Table & Customer's Own Table Top	\$1475	1540	1670	1800	1930	2060	2190	2320	2450	2580
SY16261/GLS	Rectangular Table & Glass Top	\$2075	2140	2270	2400	2530	2660	2790	2920	3050	3180
SY16261/GRN	Rectangular Table & Granite Top	\$3175	3240	3370	3500	3630	3760	3890	4020	4150	4280

Dimensions:

See COL/COM Section

Effective Sept 1, 2018 please add 4.5% to price list dated January 1, 2016

STANDARD SPECIFICATIONS

	Description
Construction	Full Panel Box Construction Using CARB Compliant Plywood. Superior Construction Passes GSA Heavy Duty Furniture Test FNAE-80-214A. Full Panel Box for Seat Back and Arms Allows Incorporation of Power and Other Accessories.
Loose Seat Cushions	Inner Spring Cushion Construction
Wood Feet	See Page 137

OPTIONAL SPECIFICATIONS

	Description	Price
Wood Feet Finishes	See Page 137	n/c
Casters	Available for Single Seat Models Only	\$95
Ganging Connector Set	To Gang 2 Units	\$95
Writing Tablet	16" Diameter Black Textured Foil Surface. Rotates 360°. Standard on Right Unless Specified	\$315
Integrated Cup Holder	Polished Metal. Standard on Left Arm or on Arm Opposite Writing Tablet Unless Specified	\$85
Wood Arm Cap	For Wood Finishes See Page 137	\$145
Fixed Seat Cushions	Lounge Chair	\$60
	Two Seat Sofa	\$75
	Three Seat Sofa	\$95
Square Stitch Upholstery	On Front of Back	\$120
Decorative Buttons	On Front of Back	\$120
Contrasting Seat Fabric	Select Fabric/Leather Different from Back & Arms	\$125
Power and Data	See Page 127	
Cal 133 Fire Code	Fire Barrier Applied Under the Upholstery	+ 20%

COM/COL/DIMENSIONS

		COM	COL	Dimensions (in Inches)				
		Yard	Square Feet	Seat Width	Arm Height from Floor	Back Height from Floor	Total Width	Total Depth
SY16201	Complete	5.50	99	21	23	30	32	29
	Arms and Back	4.50	81					
	Seat Cushion	1.20	22					
SY16202	Complete	7.20	130	42	23	30	53	29
	Arms and Back	5.50	99					
	Seat Cushion	2.20	40					
SY16203	Complete	9.00	162	63	23	30	74	29
	Arms and Back	6.50	117					
	Seat Cushion	2.90	52					
SY16160	Complete	2.30	41	21			21	21
	Seat Box	1.00	18					
	Seat Cushion	1.70	31					
SY16260	Complete	3.75	68	42			42	21
	Seat Box	1.70	31					
	Seat Cushion	2.25	41					
SY16360	Complete	5.25	95	63			63	21
	Seat Box	2.50	45					
	Seat Cushion	3.20	58					
SY16270	Complete	5.60	101	42	23		53	21
	Seat Box & Arms	3.60	65					
	Seat Cushion	2.30	41					
SY16370	Complete	7.00	126	63	23		74	21
	Seat Box & Arms	4.50	81					
	Seat Cushion	3.20	58					
SY16370/61	Complete	6.00	108	63	23		74	21
	Seat Box & Arms	4.50	81					
	Seat Cushion	2.30	41					
SY16361/61	Complete	4.00	72	63			63	21
	Seat Box	2.25	41					
	Seat Cushion	2.30	41					
SY16161	Complete	1.00	18	21			21	21
SY16261	Complete	2.00	36	42			42	21

SPEED-O

Effective Sept 1, 2018 please add 4.5% to price list dated January 1 2016



S076300

Shown with Optional S025WA Arms



S076200

Shown with Optional White Poly Back, S025WA-WH Arms & Polished Aluminum Base



S076200M

Shown with Optional White Poly Back, S025WA-WH Arms & Polished Aluminum Base

Model #	Description	A/COM	B	C/COL	D	E	F	G	H	I	J/LEA
TASK CHAIR											
S076200	Poly Membrane Back	\$459	472	497	522	547	572	597	622	647	672
S076300	Mesh Back Pad on Poly	\$499	512	537	562	587	612	637	662	687	712
S076300UPH	Upholstered Back Pad on Poly	\$539	559	599	639	679	719	759	799	839	879
MEDIUM STOOL											
S076200M	Poly Membrane Back	\$579	592	617	642	667	692	717	742	767	792
S076300M	Mesh Back Pad on Poly	\$619	632	657	682	707	732	757	782	807	832
S076300UPH/M	Upholstered Back Pad on Poly	\$659	679	719	759	799	839	879	919	959	999
TALL STOOL											
S076200T	Poly Membrane Back	\$599	612	637	662	687	712	737	762	787	812
S076300T	Mesh Back Pad on Poly	\$639	652	677	702	727	752	777	802	827	852
S076300UPH/T	Upholstered Back Pad on Poly	\$679	699	739	779	819	859	899	939	979	1019

Dimensions:
 Seat - Task Chair
 Seat - Medium Stool
 Seat - Tall Stool
 Back
 Overall

19W x 19D x 16-21H
 19W x 19D x 19-26H
 19W x 19D x 23-31H
 18W x 21-24H
 27W x 27D

Effective Sept 1, 2018 please add 4.5% to price list dated January 1, 2016

STANDARD SPECIFICATIONS

	Description
Poly Back	Black Flexible Poly Membrane.
Mesh Back Pad	Soft Knit Mesh on Poly Back - See Page 136
Upholstered Back Pad	Upholstered Back Pad on Poly Back. For Mesh or Upholstered Back Pad on Poly, Specify if on White or Black Poly Backrest
Seat	Contoured Seat with Waterfall Front Edge
Auto-Syncro Mechanism	Seat and Back Move in Unison to Provide Continuous Lumbar Support and Automatically Adjusts to Different Body Weights. Forward Back Lock and Integrated Sliding Seat Standard.
Footring for Stools	Polished 20" Diameter with Simple Rotation/Lock for Height Variation of Footring
Base	Black Nylon 5 Star Base
Carpet Casters	Hard Wheel Free Rolling Casters for Soft Surface

OPTIONAL SPECIFICATIONS

	Description	Price
Poly Back	White Flexible Poly Membrane. Note That When White Poly Back is Chosen, the Lower Back Support to Mechanism will also be White	\$35
SQ25WA Arms	Black Stem, Soft Durable PU Pads Adjusts Height and Width	\$100
SQ25WA -WH Arms	White Stem, Soft Durable PU Pads Adjusts Height and Width	\$125
Base	Polished Aluminum Base	\$135
Hard Floor Casters	Soft Wheel Braking Casters for Hard Floor	\$35
Carpet Glides	Nylon Glides for Carpet Surface	\$20

COM/COL

	COM	COL
	Yard	Square Feet
Seat	0.75	14
Back	0.75	14

STRATA

Effective Sept 1, 2018 please add 4.5% to price list dated January 1 2016



ST9440

Model #	Description	A/COM	B	C/COL	D	E	F	G	H	I	J/LEA
ST9420	4 Post with 4 Glides	\$545	562	596	630	664	698	732	766	800	834
ST9440	4 Post with 2 Glides 2 Casters	\$570	587	621	655	689	723	757	791	825	859
ST9460	4 Post with 4 Casters	\$595	612	646	680	714	748	782	816	850	884

Dimensions:
 Seat 19W x 18D x 18H
 Back 18W x 16H
 Overall 23.5W x 22D x 32H

Effective Sept 1, 2018 please add 4.5% to price list dated January 1, 2016

STANDARD SPECIFICATIONS

	Description
Backrest	Flexible Knit Mesh
Arm Wraps	Black Poly
Frame	Polished Metal
Seat	Fully Upholstered
Carpet Casters	Hard Wheel Free Rolling Casters for Soft Surface
Carpet Glides	Nylon Glides for Carpet Surface
Caster/Glide Insert	Unique Push-Fit Interchangability Between Casters & Glides

OPTIONAL SPECIFICATIONS

	Description	Price
Hard Floor Casters	Soft Wheel Braking Casters for Hard Floor	\$35
Hard Floor Glides	Glides with Soft Surface for Hard Floor	\$45
Cal 133 Fire Code	Fire Barrier Applied Under the Upholstery	+20%

COM/COL

COM/COL		COM	COL
		Yard	Square Feet
All Models	Seat Only	.75	14

TEC LINE: POLYURETHANE CHAIR & STOOL

Effective Sept 1, 2018 please add 4.5% to price list dated January 1 2016



SP9110D

Shown with Optional
AL10WA Adjustable
Arms



SP9110T



SP8228/PU



SP8228/FPPU

Model #	Description	Black PU
PU TASK CHAIR WITH SEAT & BACK		
SP9110D	Task Height Chair with Molded Polyurethane Seat and Back	\$449
SP9110M	Medium Height Stool with Molded Polyurethane Seat and Back	\$569
SP9110T	Tall Height Stool with Molded Polyurethane Seat and Back	\$589
PU STOOL (ROUND SEAT, NO BACK)		
SP8002/PU	Desk Height with Molded Polyurethane Seat	\$319
SP8228/PU	Medium Stool with Molded Polyurethane Seat	\$439
SP8288/PU	Tall Stool with Molded Polyurethane Seat	\$459
WITH SADDLE SHAPED PU SEAT, NO BACK		
SP8002/FPPU	Desk Height	\$349
SP8228/FPPU	Medium Stool	\$469
SP8288/FPPU	Tall Stool	\$489

Dimensions:

Back	17W x 13-17H
Seat - for Version with Seat & Back	17.5W x 18D x 16-21H
Seat - for Round Seat Version	17D
Seat - for Saddle Seat Version	15W x 15D
Seat Height - Desk Chair	16-21H
Seat Height - Medium Stool	19-26H
Seat Height - Tall Stool	23-32H
Base	27D

TEC LINE: POLYURETHANE CHAIR & STOOL

Effective Sept 1, 2018 please add 4.5% to price list dated January 1, 2016

STANDARD SPECIFICATIONS

	Description
Height Adjustable Back	Provides 3" Adjustment Range for Back & Lumbar
Footring for Stool Version	Polished 20" Diameter with Simple Rotation/Lock for Height Variation of Footring
Base	Black Nylon 5 Star Base
Hard Floor Casters	Soft Wheel Braking Casters for Hard Floor
Cleanroom	Polyurethane Qualifies for Class 10 Cleanroom
Seat and Back	Soft Durable Polyurethane

OPTIONAL SPECIFICATIONS

	Description	Price
AL10WA Arms for Seat & Back Version	Adjusts 4" Height and Width Black Stem, Soft Durable PU Pads	\$145
Carpet Glides	Nylon Glides for Carpet Surface	\$20
Hard Floor Glides	Glides with Soft Surface for Hard Floor	\$45

TEC LINE: PHYSICIAN STOOL

Effective Sept 1, 2018 please add 4.5% to price list dated January 1 2016



SP8228

Model #	Description	A/COM	B	C/COL	D	E	F	G	H	I	J/LEA
UPHOLSTERED ROUND SEAT											
SP8002	Desk Height	\$339	349	369	389	409	429	449	469	489	509
SP8228	Medium Stool	\$459	469	489	509	529	549	569	589	609	629
SP8288	Tall Stool	\$479	489	509	529	549	569	589	609	629	649

Dimensions:
 Seat - Desk Chair 17W x 16-21H
 Seat - Medium Stool 17W x 19-26H
 Seat - Tall Stool 17W x 23-32H
 Base 27 Diameter

TEC LINE: PHYSICIAN STOOL

Effective Sept 1, 2018 please add 4.5% to price list dated January 1, 2016

STANDARD SPECIFICATIONS

Height Adjustable Back
Fully Upholstered Seat
Footring for Stool Version

Base
Carpet Casters

Description

Provides 3" Adjustment Range for Back & Lumbar
Soft Durable Polyurethane
Polished 20" Diameter with Simple Rotation/Lock for Height Variation of Footring. Supplied on Medium and Tall Stools Only.
Black Nylon 5 Star Base
Hard Wheel Braking Casters for Carpet

OPTIONAL SPECIFICATIONS

Carpet Glides
Hard Floor Glides
Hard Floor Casters

Description

Nylon Glides for Carpet Surface
Glides with Soft Surface for Hard Floor
Soft Wheel Braking Casters for Hard Floor

Price

\$20
\$45
\$35

COM/COL

COM

Seat

Yard
.80

COL

Square Feet
14

TEC LINE: CLEANROOM AND ESD

Effective Sept 1, 2018 please add 4.5% to price list dated January 1 2016



SP1361



SP1366-660

Model #	Description	A/COM	B	C/COL	D	E	F	G	H	I	J/LEA
---------	-------------	-------	---	-------	---	---	---	---	---	---	-------

CLEANROOM

SP1361	Desk Chair		\$810								
SP1368-660	Medium Stool		\$930								
SP1368-680	Tall Stool		\$950								
Upholstery Options:	Black Cleanroom Vinyl										

ESD

SP1331	Desk Chair		\$940								
SP1338-660	Medium Stool		\$1050								
SP1338-680	Tall Stool		\$1070								
Upholstery Options:	Onyx ESD Fabric or Black ESD Vinyl										

CLEANROOM/ESD

SP1311	Desk Chair		\$970								
SP1318-660	Medium Stool		\$1090								
SP1318-680	Tall Stool		\$1110								
Upholstery:	Black ESD Vinyl										

Dimensions:	
Seat - Desk Chair	18W x 18D x 16-21H
Seat - Medium Stool	18W x 18D x 19-26H
Seat - Tall Stool	18W x 18D x 23-32H
Back	15.5W x 13-16H
Base	27 Diameter

TEC LINE: CLEANROOM AND ESD

Effective Sept 1, 2018 please add 4.5% to price list dated January 1, 2016

STANDARD SPECIFICATIONS

	Description
Height Adjustable Back	Provides 3" Adjustment Range for Back & Lumbar
Footring for Stool Version	Polished 20" Diameter with Simple Rotation/Lock for Height Variation of Footring
Base for Cleanroom	Black Nylon 5 Star Base
Base for Cleanroom/ESD	Polished Aluminum 5 Star Base
Hard Floor Casters	Soft Wheel Braking Casters for Hard Floor

OPTIONAL SPECIFICATIONS

	Description	Price
HA2 Arms	Adjusts 4" In Height Black Stem Soft Durable PU Pads	\$145
OM42WA Arms	Adjusts 4" In Height and Width Black Stem Soft Durable PU Pads	\$205
Hard Floor Glides	Glides with Soft Surface for Hard Floor	\$45

Note:

Arms and Glides are not ESD Compliant

COM/COL

	COM	COL
	Yard	Square Feet
Complete Chair	-	-

Effective Sept 1, 2018 please add 4.5% to price list dated January 1 2016



T09380
Shown with
Optional Polished Base



T09370



T09460

Model #	Description	A/COM	B	C/COL	D	E	F	G	H	I	J/LEA
SWIVEL TILT											
T09380	Desk Chair, Poly Back	\$609	622	647	672	697	722	747	772	797	822
T09390	Desk Chair, Upholstered Back Pad	\$649	668	705	743	780	818	855	893	930	968
T09380M	Medium Stool, Poly Back	\$729	742	767	792	817	842	867	892	917	942
T09390M	Medium Stool, Upholstered Back Pad	\$769	788	825	863	900	938	975	1013	1050	1088
T09380T	Tall Stool, Poly Back	\$749	762	787	812	837	862	887	912	937	962
T09390T	Tall Stool, Upholstered Back Pad	\$789	808	845	883	920	958	995	1033	1070	1108
Dimensions:											
Seat - Desk Height	18.5W x 18.5D x 16-21H										
Seat - Medium Stool Height	18.5W x 18.5D x 19-26H										
Seat - Tall Stool Height	18.5W x 18.5D x 23-32H										
Back	19W x 15H										
Overall	26W x 26D										
SLED											
T09360	Sled Chair, Poly Back	\$589	602	627	652	677	702	727	752	777	802
T09370	Sled Chair, Upholstered Back Pad	\$629	648	685	723	760	798	835	873	910	948
Dimensions:											
Seat	18.5W x 18.5D x 18H										
Back	19W x 15H										
Overall	22W x 24D										
4 POST WITH POLY BACK											
T09420	With 4 Glides	\$589	602	627	652	677	702	727	752	777	802
T09440	With 2 Glides 2 Casters	\$609	622	647	672	697	722	747	772	797	822
T09460	With 4 Casters	\$629	642	667	692	717	742	767	792	817	842
4 POST WITH POLY BACK AND UPHOLSTERED BACK PAD											
T09421	With 4 Glides	\$629	648	685	723	760	798	835	873	910	948
T09441	With 2 Glides, 2 Casters	\$649	668	705	743	780	818	855	893	930	968
T09461	With 4 Casters	\$669	688	725	763	800	838	875	913	950	988
Dimensions:											
Seat	18.5W x 18.5D x 18H										
Back	19W x 15H										
Overall	22W x 24D										

Effective Sept 1, 2018 please add 4.5% to price list dated January 1, 2016

STANDARD SPECIFICATIONS

	Description
Available on a Beam	See Page 29
Poly Back	Black Flex Poly
Arm Pads	Soft Durable Rubber Pads
Carpet Glides	Nylon Glides for Carpet Surface
Carpet Casters	Hard Wheel Free Rolling Casters for Soft Surface
Frame	Polished Metal
Footring for Stools	Polished 20" Diameter with Simple Rotation/Lock for Height Variation of Footring
Base	Black Nylon 5 Star Base

OPTIONAL SPECIFICATIONS

	Description	Price
White Poly Back	Special Order. Check Lead Time	\$40
No Arm Pads	Specify "No Arm Pads"	n/c
Hard Floor Glides	Glides with Soft Surface for Hard Floor	\$45
Hard Floor Casters	Soft Wheel Braking Casters for Hard Floor	\$35
Cal 133 Fire Code	Fire Barrier Applied Under the Upholstery	+20%
Base	Polished Aluminum 5 Star Base	\$135

COM/COL

COM/COL		COM	COL
		Yard	Square Feet
Seat	All Versions	.75	14
Complete Chair	Poly Back Version	.75	14
Back Pad	Upholstered Back Pad Version	.50	9
Complete Chair	Upholstered Back Pad Version	1.00	18

Effective Sept 1, 2018 please add 4.5% to price list dated January 1 2016



TF3024T



TF20D



TF2626SH

Model #	Description	Glass
TF20D	20" Round	\$545
TF3024T	Soft Triangle 30 x 24	\$745
TF2626SH	Soft Corner Square Shape 26 x 26	\$745
TF4126SH	Soft Corner Rectangular Shape 41 x 26	\$845

Effective Sept 1, 2018 please add 4.5% to price list dated January 1, 2016

STANDARD SPECIFICATIONS

	Description
Glass Tops	1/2" Thick Clear Tempered Safety Glass with Beveled Edge
Legs	Polished Metal
Table Height	14"
Glides	Poly Push-Fit Glides

OPTIONAL SPECIFICATIONS

	Description	Price
Optional Table Height	15.5"	\$20
Carpet Casters	Increases Height by 2"	\$35
Hard Floor Casters	Increases Height by 2"	\$70

Effective Sept 1, 2018 please add 4.5% to price list dated January 1 2016



VI2220



VI2240

Model #	Description	A/COM	B	C/COL	D	E	F	G	H	I	J/LEA
SLED BASE											
VI2220	Mesh Back	\$799	824	874	924	974	1024	1074	1124	1174	1224
VI2230	Fully Upholstered Back	\$879	908	965	1023	1080	1138	1195	1253	1310	1368
Dimensions:											
Seat		20W x 18D x 18H									
Back		20W x 17H									
Overall		22W x 22D									
SWIVEL											
VI2240	Mesh Back Desk Chair	\$899	924	974	1024	1074	1124	1174	1224	1274	1324
VI2250	Upholstered Back Desk Chair	\$979	1008	1065	1123	1180	1238	1295	1353	1410	1468
VI2240M	Mesh Back Medium Stool	\$1019	1044	1094	1144	1194	1244	1294	1344	1394	1444
VI2250M	Upholstered Back Medium Stool	\$1099	1128	1185	1243	1300	1358	1415	1473	1530	1588
VI2240T	Mesh Back Tall Stool	\$1039	1064	1114	1164	1214	1264	1314	1364	1414	1464
VI2250T	Upholstered Back Tall Stool	\$1119	1148	1205	1263	1320	1378	1435	1493	1550	1608
Dimensions:											
Seat - Desk Height		20W x 18D x 16-21H									
Seat - Medium Height Stool		20W x 18D x 19-26H									
Seat - Tall Height Stool		20W x 18D x 23-32H									
Back		20W x 17H									
Base		27 Diameter									

Effective Sept 1, 2018 please add 4.5% to price list dated January 1, 2016

STANDARD SPECIFICATIONS

	Description
Seat	Innerspring Cantilever Seat
Frame	Polished Metal
Arm	Arm Standard Polished with No Arm Wrap
Footring for Stool Version	Polished 20" Diameter with Simple Rotation/Lock for Height Variation of Footring
Base	Polished Aluminum 5 Star Base
Carpet Casters	Hard Wheel Free Rolling Casters for Soft Surface

OPTIONAL SPECIFICATIONS

	Description	Price
Back Mesh Colors	See "Attimo Mesh Colors" on page 135	n/c
Arm Wrap	Soft Durable Rubber	\$35
	Black Leather	\$150
	Matching Chair Leather	\$125
Hard Floor Casters	Soft Wheel Braking Casters for Hard Floor	\$35
Glides for Swivel	Nylon Glides for Carpet Surface	\$20
Cal 133 Fire Code	Fire Barrier Applied Under the Upholstery	+20%

COM/COL

COM/COL		COM	COL
		Yard	Square Feet
Seat	For All Versions	1.00	18
Back	For Upholstered Back Versions	1.00	18
Complete Chair	For Upholstered Back Versions	1.50	27

Effective Sept 1, 2018 please add 4.5% to price list dated January 1 2016



XC53105-70

Model #	Description	A/COM	B	C/COL	D	E	F	G	H	I	J/LEA
TASK CHAIRS & STOOLS											
XC53100-70	Executive Task Chair, no Arms	\$1159	1177	1212	1247	1282	1317	1352	1387	1422	1457
XC53100-70M	Medium Stool, no Arms	\$1279	1297	1332	1367	1402	1437	1472	1507	1542	1577
XC53100-70T	Tall Stool, no Arms	\$1299	1317	1352	1387	1422	1457	1492	1527	1562	1597
XC53105-70	Executive Task Chair with Arms	\$1299	1317	1352	1387	1422	1457	1492	1527	1562	1597
XC53105-70M	Medium Stool with Arms	\$1419	1437	1472	1507	1542	1577	1612	1647	1682	1717
XC53105-70T	Tall Stool with Arms	\$1439	1457	1492	1527	1562	1597	1632	1667	1702	1737

Dimensions:
 Seat - Desk Height Task Chair 19W x 18D x 16-21H
 Seat - Medium Height Stool 19W x 18D x 19-26H
 Seat - Tall Height Stool 19W x 18D x 23-32H
 Back 20W x 24H
 Base 28D

Effective Sept 1, 2018 please add 4.5% to price list dated January 1, 2016

STANDARD SPECIFICATIONS

	Description
Poly Membrane Backrest Frame	White Poly with Flex Fins and Integrated Adjustable Lordosis Support
Knit Backrest Upholstery	Soft Multidimensional Stretch Knit
Arms	Adjusts Height and Width White Poly Stem & Durable Polyurethane Pads
Syncro-Motion X® Mechanism	Seat and Back Move in Unison to Provide Continuous Lumbar Support. Backrest Tilt Angle can be Limited in Forward and 3 Rear Positions. Integrated Sliding Seat is Standard.
Integrated Sliding Seat	Provides 4" Range of Seat Depth Adjustment
Base	Polished Aluminum Base
Carpet Casters	Hard Wheel Free Rolling Casters for Soft Surface
Footring for Stool Version	Polished 20" Diameter with Simple Rotation/Lock for Height Variation of Footring

OPTIONAL SPECIFICATIONS

	Description	Price
Mesh Back Colors	See Page 136	n/c
Hard Floor Casters	Soft Wheel Braking Casters for Hard Floor	\$35
Carpet Glides	Nylon Glides for Carpet Surface	\$20
Cal 133 Fire Code	Fire Barrier Applied Under the Upholstery	+20%

COM/COL

	COM	COL
	Yard	Square Feet
Seat only	1.00	18

JUNXION - Background

With Dauphin's global roots in Germany, Junxion derives from the renowned German "Bürolandschaft" (Office Landscape), the movement to open plan office space pioneered in Germany in the 1950's. Developed by the Quickborner Team led by Eberhard and Wolfgang Schnelle, and based in the Hamburg suburb of Quickborn, Bürolandschaft sought to provide a more collaborative and humane work environment in the large plan open spaces built using post-war innovations in architecture and engineering.

For many years this proved the basis for open office planning, but as progressive companies began to struggle with the need to facilitate collaboration while at the same time reducing real estate costs, office walls have come down, spaces have shrunk – and the environment has become truly Dynamic.

Which poses a challenge: how do organizations create flexible, quiet and private collaborative spaces within crowded open plan offices?

After extensive work studies, Dauphin developed Junxion, a unique modular solution comprised of upholstered benches and walls that can be combined into limitless configurations of lounge, privacy seating and workstations for Dynamic Spaces.

The Structure – the Bench Seat Box and the hollow 6" thick Acoustic Walls - provides the basis for conveying power and technology and resultant solutions for Collaboration and Privacy in Dynamic Spaces. The Walls can be used with the Benches, on their own, or to support Work Tables. Different wall heights, work shelves, TV monitors, lighting and accessories can be combined to define space and form to support any work environment.

IMPORTANT NOTES: PLEASE READ BEFORE SPECIFYING/ORDERING

PRICING BREAKDOWN:	<p>"STRUCTURE", which comprises the bench seat box (excluding cushions) plus any walls (with no back cushions) is priced separately from Seat Cushions and Backrest Cushions</p> <p>SEAT CUSHIONS and BACKREST CUSHIONS must be priced separately and added to Structure. This allows Selection of different fabrics for the Structure, Seat Cushions and Back Cushions</p> <p>In addition, pricing is provided for:</p> <ul style="list-style-type: none"> - Loose Throw Cushions and Bolster Cushions - Wall Accessories: - Tables - Power and Data
COM REQUIREMENT:	<p>COM requirement for STRUCTURE is shown in column headed COM/yd, preceding Pricing Column A/COM. STRUCTURE, SEAT CUSHIONS and BACK CUSHIONS all have SEPARATE COM. For COL for Seat and Back Cushions, multiply Yards times 17 for Square Footage. Structure is not available in Leather.</p>
FABRIC DIRECTION:	<p>Wall Fabric for all walls up to 53" high will be RAILROADED. Fabric for 72" high walls will be applied OFF THE ROLL.. Wall fabric must be SOLID, NON-PATTERN and NON-DIRECTIONAL.. Fabric for Seat and Back Cushions will also be applied standard RAILROAD unless specified otherwise. Alternative fabric direction might require additional fabric and joining seams.</p>
IDENTIFICATION OF WALL SIDE:	<p>LEFT or RIGHT Location of Walls are identified from SITTING IN THE CHAIR</p>
DIMENSIONS:	<p>Standard (Rectangular) BENCH SEAT BOXES are in Modules of 30, 60 or 90" Wide x 24" Deep x 11" High (excluding the 6" thick Seat Cushion).</p> <p>Wedge BENCH SEAT BOXES width measurements are at the front of the seat and the outside wings at the rear of the seat.</p> <p>The exception to the above 30" wide modules is: Privacy Pod, which has a 48" wide seat comprising 2 of 24" wide cushions.</p> <p>WALLS are 6" Deep x 35, 47, 53 or 72" High.</p> <p>To Calculate Overall Footprint, Add 6" Wall Depth to the Bench Seat Box Size for each wall</p> <p>Example: 60W x 24D Bench with Left Wall is 60+6 = 66W x 24D If Right Wall is added, then it is 66+6 = 72W If Back Wall is added it is 24+6 = 30D (All units with Back Walls are 30" Deep)</p>

Please consider the SIZE of the units for delivery access via DOORS, ELEVATORS etc.

INDEX

JUNXION TYPICALS

This shows examples of Typical Configurations for different uses, assembled from various combinations of standard parts.

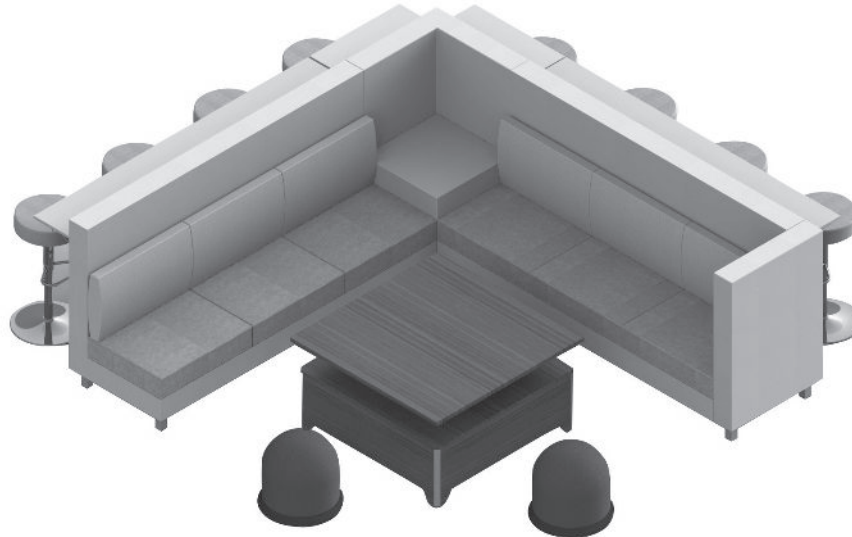
The configurations/combinations are infinite - only limited by imagination.

Typicals Shown:

Media Lounge	Page 104
Huddle Booth	Page 105
Teleconference Station	Page 106
Privacy Pod	Page 107
Workspace	Page 108
L Shaped Lounge	Page 109
Banquette	Page 110
Wedge	Page 111

STRUCTURE PARTS:

Benches and Corner Tables - No Walls:.....	Page 112
• Rectangular	
• Wedge Shaped	
• 90°, 120° and 135° Corners	
Benches and Corner Tables with Walls:	Page 114
• Rectangular	
• Wedge Shaped	
• 90°, 120° and 135° Corners	
Joining Walls	Page 122
WALL ACCESSORIES/OPTIONS	Page 123
• Work Shelves	
• TV Brackets	
• Lights	
• Kick Plates	
SEAT AND BACK CUSHIONS	Page 124
LOOSE THROW CUSHIONS AND LOOSE BOLSTER CUSHIONS	Page 125
TABLES.....	Page 126
POWER AND DATA	Page 127



Shown with Octave Stools and Lucille Seats

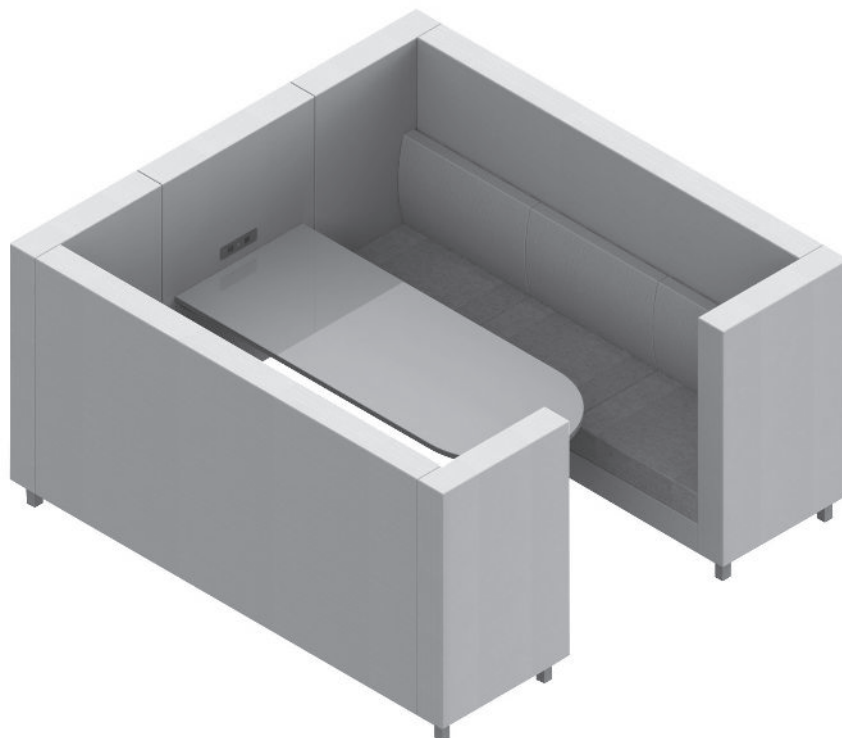
		COM/Yd	A/COM	B	C/COL	D	E	F	G	H	I	J/LEA
MEDIA LOUNGE WITH 47" HIGH WALLS												
JX83/9047	90W x 24D Bench with 47" High Back Wall	8.53	\$4220	4420	4821	5222	5623	6024	6424	6825	7226	7627
JX3024-SEAT/3	3 Seat Cushions for 90" Wide Seat Unit	3.90	\$990	1071	1236	1401	1566	1731	1896	2061	2226	2391
64-CSH3018BX/3	3 Loose 30 x 18 Back Pillows, Box Edge, for 90" Wide Seat Unit	4.20	\$825	921	1116	1311	1506	1701	1896	2091	2286	2481
JX83/C9047	90° Upholstered Raised Corner Table, 47" High Back Wall	7.36	\$3895	4068	4414	4760	5106	5452	5798	6144	6490	6836
JX83/9647L	90W x 24D Bench with 47" High Back Wall and Left Wall	10.41	\$5370	5615	6104	6593	7082	7571	8060	8549	9039	9528
JX3024-SEAT/3	3 Seat Cushions for 90" Wide Seat Unit	3.90	\$990	1071	1236	1401	1566	1731	1896	2061	2226	2391
64-CSH3018BX/3	3 Loose 30 x 18 Back Pillows, Box Edge, for 90" Wide Seat Unit	4.20	\$825	921	1116	1311	1506	1701	1896	2091	2286	2481
JX-WS3012	Shelf 30W x 12D for 30" Wall		\$250									
JX-WS3012	Shelf 30W x 12D for 30" Wall		\$250									
JX-WS9012	Shelf 90W x 12D for 90" Wall		\$395									
JX-WS9012	Shelf 90W x 12D for 90" Wall		\$395									
Sub total in A grade				\$18405								

NOTES

For Octave Pricing
For Lucille Pricing
For Blend Table

See 72
See Valo Price List or Call Customer Service
See Tables Price List or Call Customer Service

HUDDLE BOOTH TYPICAL



Shown with Optional Power and Data

HUDDLE BOOTH 6 SEAT WITH 53" HIGH WALLS		COM/Yd	A/COM	B	C/COL	D	E	F	G	H	I	J/LEA
JX83/10253LR	90W x 24D Bench with 53" High Back Wall and L & R Wall	14.98	\$7420	7772	8476	9180	9884	10588	11292	11996	12700	13404
JX3024-SEAT/3	3 Seat Cushions for 90" Wide Seat Unit	3.90	\$990	1071	1236	1401	1566	1731	1896	2061	2226	2391
64-CSH3018BX/3	3 Loose 30 x 18 Back Pillows, Box Edge, for 90" Wide Seat Unit	4.20	\$825	921	1116	1311	1506	1701	1896	2091	2286	2481
JX84/3653	36" Wide Joining Wall, 53" High	4.26	\$1550	1641	1823	2005	2188	2370	2552	2734	2916	3098
JX83/10253LR	90W x 24D Bench with 53" High Back Wall and L & R Wall	14.98	\$7420	7772	8476	9180	9884	10588	11292	11996	12700	13404
JX3024-SEAT/3	3 Seat Cushions for 90" Wide Seat Unit	3.90	\$990	1071	1236	1401	1566	1731	1896	2061	2226	2391
64-CSH3018BX/3	3 Loose 30 x 18 Back Pillows, Box Edge, for 90" Wide Seat Unit	4.20	\$825	921	1116	1311	1506	1701	1896	2091	2286	2481
Sub total in Grade A			\$20020									
K-P1/0/WB2-P7230	72W x 30D Peninsula table, 1 leg, for wall connection		\$910									
Total in Grade A			\$20930									



Shown with Televue Unit for 4 Users

TELECONFERENCE STATION WITH 72" HIGH WALL		COM/Yd	A/COM	B	C/COL	D	E	F	G	H	I	J/LEA
JX84/6072	60" Wide Joining Wall, 72" High	9.90	\$2800	3012	3435	3858	4281	4704	5127	5550	5974	6397
K-DB1/WB2-P6048	60W x 48D Peninsula Table, 1 Leg Disc Base, for Wall Connection		\$1583									
DROPSHARECUT	Cut out for Drop Share Unit		\$100									
K-PTRTC1-400	Cable Tray and Wall Support		\$595									
TELEVUE4	Televue Unit for 4 Users - see Option for 6 Users Below		\$6822									
TVBRACKET2	TV Tilt Bracket for Screen Size 32" to 55". Includes Wall Cut Out and Grommets		\$395									
JX-COV22USS144	2 Receptacle Power with 2 USB Plus 144" Cable with 3 Pin Plug.		\$699									
Sub Total in A Grade			\$12994									
OPTION	For 6 Users											
JX-TELEVUE6	Televue Unit for 6 Users		\$7205									



Shown with Optional Power and Data

PRIVACY POD WITH 72" HIGH WALLS		COM/Yd	A/COM	B	C/COL	D	E	F	G	H	I	J/LEA
JX83/6072LR	48W x 24D Privacy Pod Bench, 72" H Back Wall & L&R Wall	15.26	\$6245	6628	7395	8161	8927	9694	10460	11226	11993	12759
JX2424-SEAT/2	2 Seat Cushions for 48" Wide Seat Unit	2.60	\$560	614	724	834	944	1054	1164	1274	1384	1494
64-CSH2418BX/2	2 Loose 24 x 18 Back Cushions, Box Edge, for 48" Wide Seat Unit	2.80	\$550	614	744	874	1004	1134	1264	1394	1524	1654
Sub Total in A Grade			\$7355									



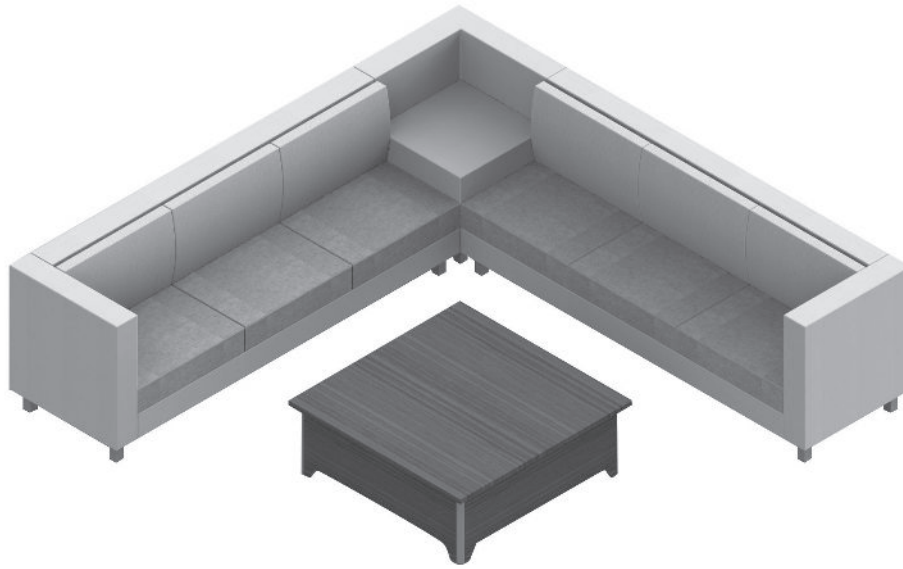
Shown with Aiko Task Chairs

		COM/ Yd	A/COM	B	C/COL	D	E	F	G	H	I	J/LEA
WORKSPACE WITH 53" HIGH WALLS												
JX84/3653	36" Wide Joining Wall, 53" High	4.26	\$1550	1641	1823	2005	2188	2370	2552	2734	2916	3098
JX84/3653	36" Wide Joining Wall, 53" High	4.26	\$1550	1641	1823	2005	2188	2370	2552	2734	2916	3098
JX84/3653	36" Wide Joining Wall, 53" High	4.26	\$1550	1641	1823	2005	2188	2370	2552	2734	2916	3098
K-PO/0/WB4-3624	36W x 24D Table, No Legs, for Wall to Wall Connection		550									
Sub Total in A Grade	Total for 1 Station with 36W x 24D Table	12.79	\$5200									
Add on:	For Side to Side Duplication											
JX84/3653	36" Wide Joining Wall, 53" High	4.26	\$1550	1641	1823	2005	2188	2370	2552	2734	2916	3098
JX84/3653	36" Wide Joining Wall, 53" High	4.26	\$1550	1641	1823	2005	2188	2370	2552	2734	2916	3098
K-PO/0/WB4-3624	36W x 24D Table, No Legs, for Wall to Wall Connection		\$550									
Sub Total in A Grade		8.53	\$3650									
Cumulative Total	Total for 2 Stations Side to Side with Tables, No Rear Wall	21.31	\$8850									
Add on:	Add Additional Side Wall and Rear Walls											
JX84/4853	48" Wide Joining Wall, 53" High	5.49	\$1650	1767	2002	2237	2471	2706	2941	3175	3410	3645
JX84/3653	36" Wide Joining Wall, 53" High	4.26	\$1550	1641	1823	2005	2188	2370	2552	2734	2916	3098
JX84/3653	36" Wide Joining Wall, 53" High	4.26	\$1550	1641	1823	2005	2188	2370	2552	2734	2916	3098
Sub Total in A Grade		14.02	\$4750									
Cumulative Total	Total for 2 Stations Side to Side with Tables, with Rear Wall	35.33	\$13600									

NOTES

For Aiko Pricing See [6](#)
Workspaces are comprised of walls with tables

LOUNGE "L" SHAPE TYPICAL



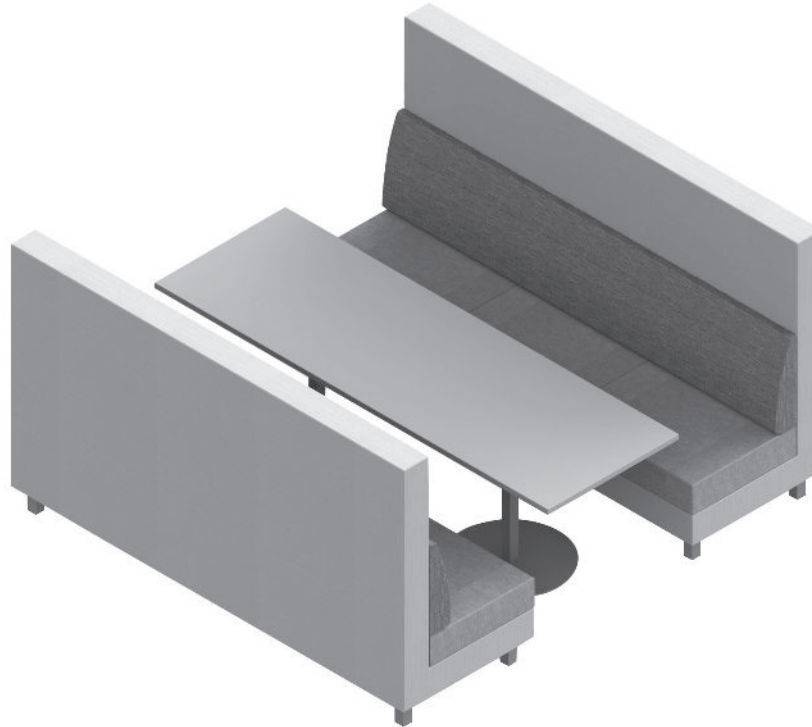
Shown with Blend Table

LOUNGE - L SHAPE WITH 35" HIGH WALLS		COM/Yd	A/COM	B	C/COL	D	E	F	G	H	I	J/LEA
JX83/9635R	90W x 24D Bench with 35" High Back Wall and Right Wall	9.28	\$4620	4838	5274	5710	6146	6582	7018	7454	7890	8326
JX3024-SEAT/3	3 Seat Cushions for 90" Wide Seat Unit	3.90	\$990	1071	1236	1401	1566	1731	1896	2061	2226	2391
64-CSH3018BX/3	3 Loose 30 x 18 Back Pillows, Box Edge, for 90" Wide Seat Unit	4.20	\$825	921	1116	1311	1506	1701	1896	2091	2286	2481
JX83/C9035	90° Upholstered Raised Corner Table, 35" High Back Wall	5.65	\$3495	3628	3893	4159	4425	4690	4956	5222	5487	5753
JX83/9635L	90W x 24D Bench with 35" High Back Wall and Left Wall	9.28	\$4620	4838	5274	5710	6146	6582	7018	7454	7890	8326
JX3024-SEAT/3	3 Seat Cushions for 90" Wide Seat Unit	3.90	\$990	1071	1236	1401	1566	1731	1896	2061	2226	2391
64-CSH3018BX/3	3 Loose 30 x 18 Back Pillows, Box Edge, for 90" Wide Seat Unit	4.20	\$825	921	1116	1311	1506	1701	1896	2091	2286	2481
Sub Total in A grade	Total for 2 Stations, Side to Side, Corner with Raised Table and Rear Walls		\$16365									

NOTES
For Blend Table

See Tables Price List or Call Customer Service

BANQUETTE TYPICAL



Shown with Fixed Back Cushion

BANQUETTE - 2 x 2 SEAT W/ TABLE WITH 47" HIGH WALLS		COM/Yd	A/COM	B	C/COL	D	E	F	G	H	I	J/LEA
JX83/6047	60W x 24D Bench with 47" High Back Wall	5.70	\$3245	3379	3647	3915	4183	4451	4719	4987	5255	5523
JX3024-SEAT/2	2 Seat Cushions for 60" Wide Seat Unit	2.60	\$660	714	824	934	1044	1154	1264	1374	1484	1594
64-BBF6018	Fixed Back Cushion For 60" Wide Back Wall	2.20	\$550	598	693	788	883	978	1073	1168	1263	1358
K-DB2-6030	60W x 30D Table, 2 Disc Bases		\$1463									
JX83/6047	60W x 24D Bench with 47" High Back Wall	5.70	\$3245	3379	3647	3915	4183	4451	4719	4987	5255	5523
JX3024-SEAT/2	2 Seat Cushions for 60" Wide Seat Unit	2.60	\$660	714	824	934	1044	1154	1264	1374	1484	1594
64-BBF6018	Fixed Back Cushion For 60" Wide Back Wall	2.20	\$550	598	693	788	883	978	1073	1168	1263	1358
Sub total in Grade A				\$10373								



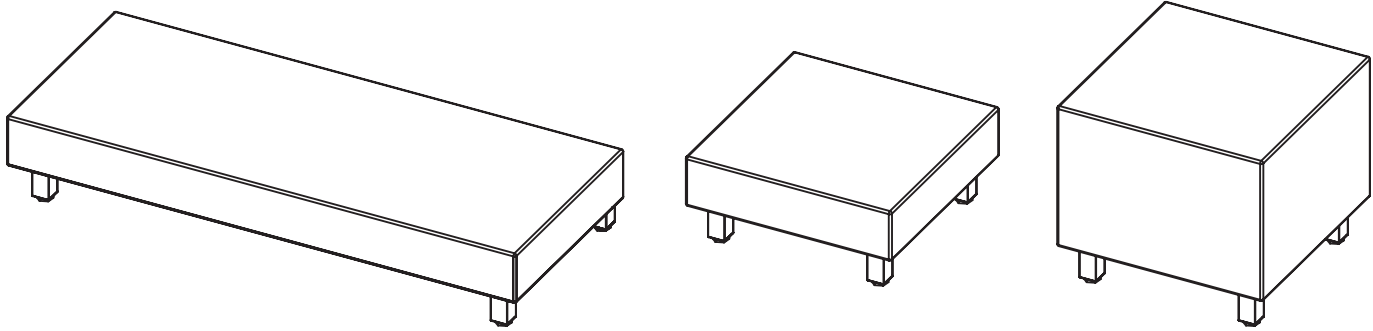
Shown with Axiom Table and Optional Power and Data

CONCEALED MEETING SPACE WITH 53" HIGH WALLS WEDGE SHAPE FOR 8 USERS		COM/Yd	A/COM	B	C/COL	D	E	F	G	H	I	J/LEA
JX83/4853WG	48W x 24D Wedge Seat with 53" High Back Wall	9.57	\$4374	4599	5049	5499	5949	6399	6849	7299	7749	8199
JX4824WG-SEAT/2	Cushion set of 2 for 48 x 72W x 24D Wedge seat	4.62	\$792	901	1118	1335	1552	1769	1986	2203	2421	2638
64-BBF6018	Fixed Back Cushion For Back Wall for 48" Wedge	2.20	\$550	598	693	788	883	978	1073	1168	1263	1358
Sub Total for 1 Unit in Grade A			\$5716									
Total for 4 Units in Grade A for COM Yards, multiply each x 4			\$22864									
OPTIONS		Price per each										
64-CSH1616FL	Loose Throw Cushion 16 x 16 Flange Edge	.80	\$225	243	278	313	348	383	418	453	488	523

NOTES
For Axiom Table
For Power and Data

See Tables Price List or Call Customer Service
See [127](#)

Price and COM is for Structure only.
Add Seat and Back Cushions Separately as Required
[See Page 124](#)



BENCHES - RECTANGULAR (WITH NO WALLS)

		COM/Yd	A/COM	B	C/COL	D	E	F	G	H	I	J/LEA
JX80/24	24W X 24D Bench	1.06	\$745	770	819	869	919	968	1018	1068	1117	1167
JX80/30	30W X 24D Bench	1.06	\$745	770	819	869	919	968	1018	1068	1117	1167
JX80/48	48W x 24D Bench	1.67	\$1095	1134	1213	1291	1370	1448	1527	1606	1684	1763
JX80/60	60W x 24D Bench	1.92	\$1495	1540	1630	1720	1810	1900	1990	2081	2171	2261
JX80/90	90W x 24D Bench	2.11	\$1995	2045	2144	2243	2343	2442	2541	2641	2740	2839

WEDGE BENCHES (WITH NO WALLS)

		COM/Yd	A/COM	B	C/COL	D	E	F	G	H	I	J/LEA
JX80/24WG	24 x 48W x 24D Wedge Bench	1.94	\$894	940	1031	1122	1213	1304	1395	1486	1577	1668
JX80/48WG	48 x 72W x 24D Wedge Bench	2.22	\$1,314	1366	1471	1575	1680	1784	1889	1993	2098	2202

CORNER BENCHES (WITH NO WALLS)

		COM/Yd	A/COM	B	C/COL	D	E	F	G	H	I	J/LEA
Corner for Seat Cushion												
JX80/C90C	90° Corner Bench - 24W x 24D	1.20	\$1,295	1320	1370	1420	1470	1520	1570	1620	1670	1720
JX80/C120C	120° Corner Bench	1.20	\$1,695	1756	1877	1999	2120	2242	2363	2485	2606	2728
JX80/C135C	135° Corner Bench	1.20	\$1,695	1756	1877	1999	2120	2242	2363	2485	2606	2728

CORNER TABLE (WITH NO WALLS)

		COM/Yd	A/COM	B	C/COL	D	E	F	G	H	I	J/LEA
Fully Upholstered Raised Corner Table												
JX80/C90CT	90° Upholstered Raised Corner Table, 24 x 24 x 24 H	2.58	\$1295	1356	1477	1599	1720	1842	1963	2085	2206	2328
JX80/C120CT	120° Upholstered Raised Corner Table	2.58	\$1695	1756	1877	1999	2120	2242	2363	2485	2606	2728
JX80/C135CT	135° Upholstered Raised Corner Table	2.58	\$1695	1756	1877	1999	2120	2242	2363	2485	2606	2728

OPTIONAL SURFACE FOR CORNER TABLE

TABLE SURFACE

To Place on the top of the Upholstered Corner Table

FOR 90° CORNER TABLE

50-2424-910	24x24 Clear Glass Table Surface	\$195
K2424-01GO	24x24 Laminate Table Surface - Designer White	\$210
K2424-05GO	24x24 Laminate Table Surface - Stainless Silver	\$252
K2424-XXXGO	24x24 Wood Veneer Table Surface. Special Order. Check with Customer Service	

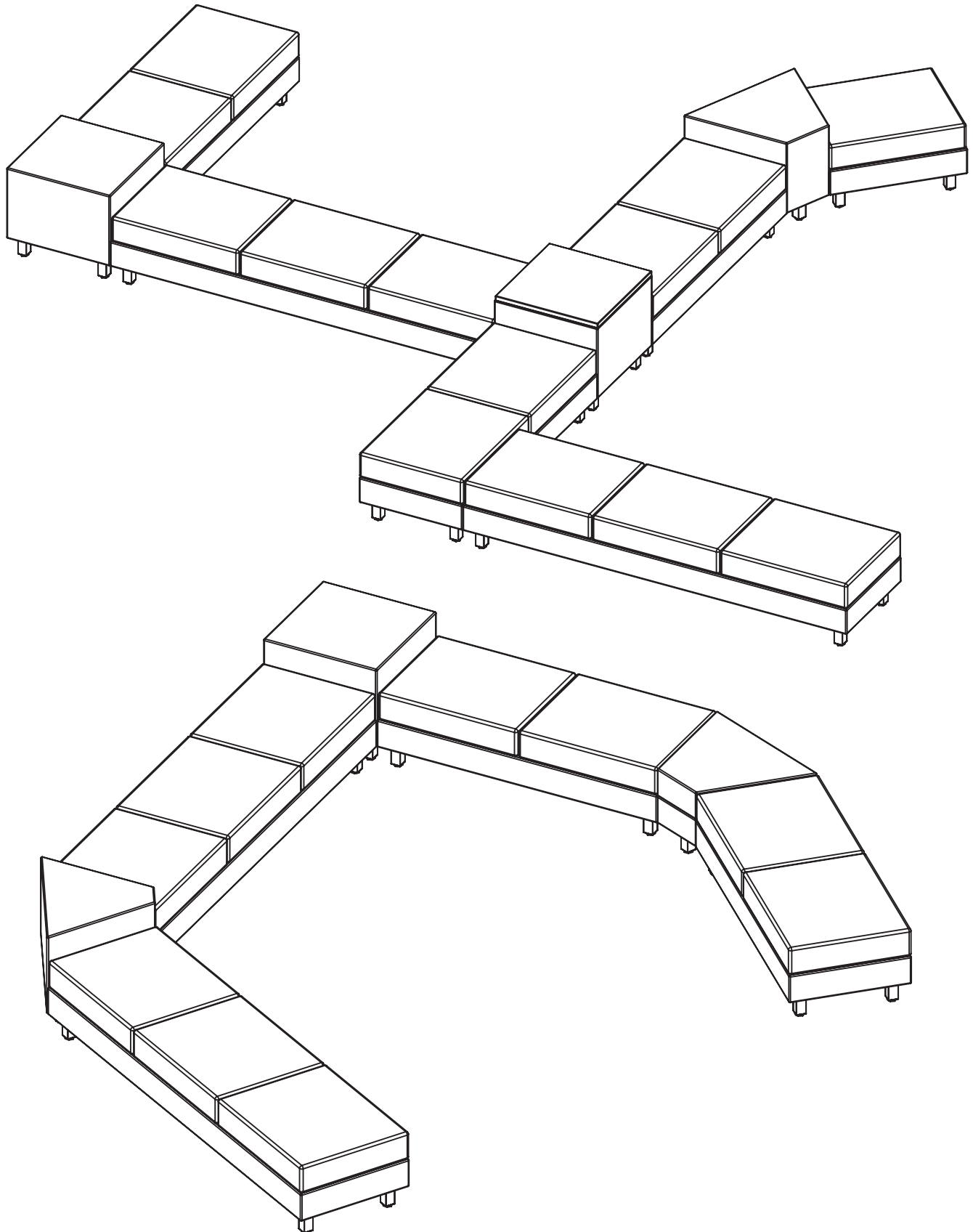
FOR 120 AND 135 DEGREE OR WEDGE SHAPED CORNER TABLES

Special Order. Please check with Customer Service

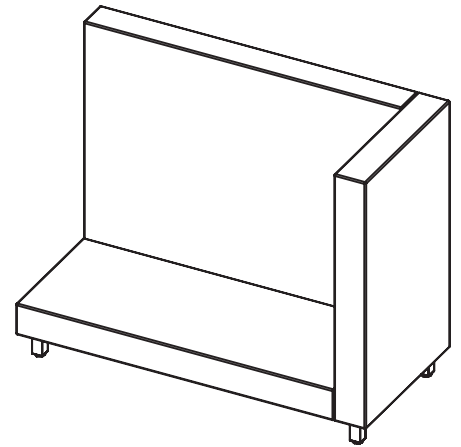
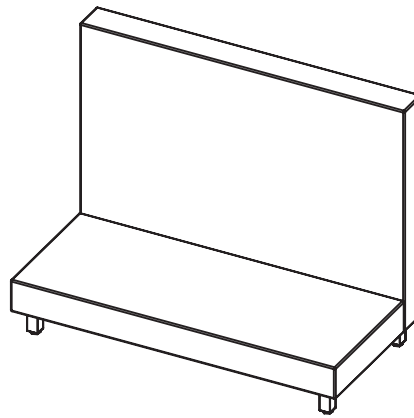
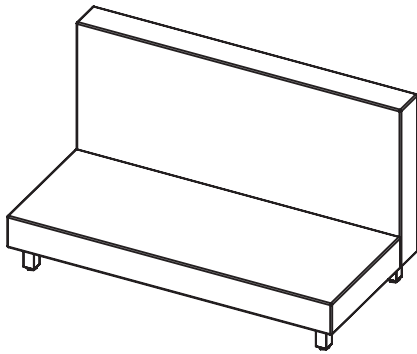
NOTES

Benches with no walls can be stand alone, back-to-back or other configurations that have units with or without a wall.

**Price and COM is for Structure only.
Add Seat and Back Cushions Separately as Required
[See Page 124](#)**

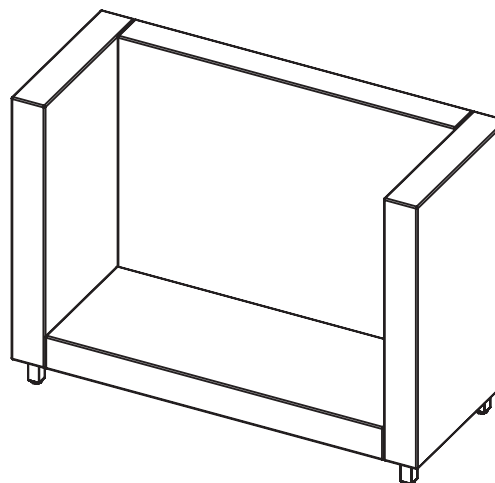
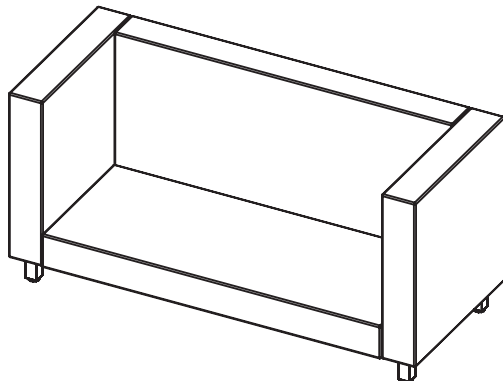


Price and COM is for Structure only.
Add Seat and Back Cushions Separately as Required
[See Page 124](#)



BENCHES WITH BACK WALL AND/OR END (SIDE) WALLS		COM/Yd	A/COM	B	C/COL	D	E	F	G	H	I	J/LEA
BENCH WITH 35" HIGH WALL												
JX83/3035	30W x 24D Bench with 35" High Back Wall	2.90	\$1695	1763	1899	2036	2172	2308	2445	2581	2717	2853
JX83/3635L	30W x 24D Bench with 35" High Back Wall and Left Wall	5.18	\$2645	2767	3011	3254	3498	3742	3985	4229	4473	4716
JX83/3635R	30W x 24D Bench with 35" High Back Wall and Right Wall	5.18	\$2645	2767	3011	3254	3498	3742	3985	4229	4473	4716
JX83/4235LR	30W x 24D Bench with 35" High Back Wall and L & R Wall	7.78	\$3595	3778	4143	4509	4874	5240	5606	5971	6337	6702
JX83/6035	60W x 24D Bench with 35" High Back Wall	4.64	\$2745	2854	3072	3291	3509	3727	3946	4164	4382	4601
JX83/6635L	60W x 24D Bench with 35" High Back Wall and Left Wall	7.24	\$3695	3865	4205	4545	4886	5226	5566	5906	6246	6586
JX83/6635R	60W x 24D Bench with 35" High Back Wall and Right Wall	7.24	\$3695	3865	4205	4545	4886	5226	5566	5906	6246	6586
JX83/7235LR	60W x 24D Bench with 35" High Back Wall and L & R Wall	9.83	\$4645	4876	5338	5800	6262	6724	7186	7648	8110	8572
JX83/9035	90W x 24D Bench with 35" High Back Wall	6.68	\$3670	3827	4141	4455	4770	5084	5398	5712	6026	6340
JX83/9635L	90W x 24D Bench with 35" High Back Wall and Left Wall	9.28	\$4620	4838	5274	5710	6146	6582	7018	7454	7890	8326
JX83/9635R	90W x 24D Bench with 35" High Back Wall and Right Wall	9.28	\$4620	4838	5274	5710	6146	6582	7018	7454	7890	8326
JX83/10235LR	90W x 24D Bench with 35" High Back Wall and L & R Wall	11.87	\$5570	5849	6407	6965	7523	8080	8638	9196	9754	10312
BENCH WITH 47" HIGH WALL												
JX83/3047	30W x 24D Bench with 47" High Back Wall	3.65	\$1895	1981	2152	2324	2495	2667	2838	3010	3181	3353
JX83/3647L	30W x 24D Bench with 47" High Back Wall and Left Wall	6.31	\$3045	3193	3490	3787	4084	4381	4678	4974	5271	5568
JX83/3647R	30W x 24D Bench with 47" High Back Wall and Right Wall	6.31	\$3045	3193	3490	3787	4084	4381	4678	4974	5271	5568
JX83/4247LR	30W x 24D Bench with 47" High Back Wall and L & R Wall	8.91	\$4195	4404	4823	5242	5660	6079	6498	6916	7335	7754
JX83/6047	60W x 24D Bench with 47" High Back Wall	5.70	\$3245	3379	3647	3915	4183	4451	4719	4987	5255	5523
JX83/6647L	60W x 24D Bench with 47" High Back Wall and Left Wall	8.37	\$4395	4592	4985	5378	5771	6165	6558	6951	7345	7738
JX83/6647R	60W x 24D Bench with 47" High Back Wall and Right Wall	8.37	\$4395	4592	4985	5378	5771	6165	6558	6951	7345	7738
JX83/7247LR	60W x 24D Bench with 47" High Back Wall and L & R Wall	10.95	\$5545	5802	6317	6831	7346	7860	8375	8890	9404	9919
JX83/9047	90W x 24D Bench with 47" High Back Wall	8.53	\$4220	4420	4821	5222	5623	6024	6424	6825	7226	7627
JX83/9647L	90W x 24D Bench with 47" High Back Wall and Left Wall	10.41	\$5370	5615	6104	6593	7082	7571	8060	8549	9039	9528
JX83/9647R	90W x 24D Bench with 47" High Back Wall and Right Wall	10.41	\$5370	5615	6104	6593	7082	7571	8060	8549	9039	9528
JX83/10247LR	90W x 24D Bench with 47" High Back Wall and L & R Wall	13.00	\$6520	6825	7436	8047	8658	9269	9880	10491	11102	11713

Price and COM is for Structure only.
Add Seat and Back Cushions Separately as Required
[See Page 124](#)



BENCHES WITH BACK WALL AND/OR END (SIDE) WALLS (CONT.)

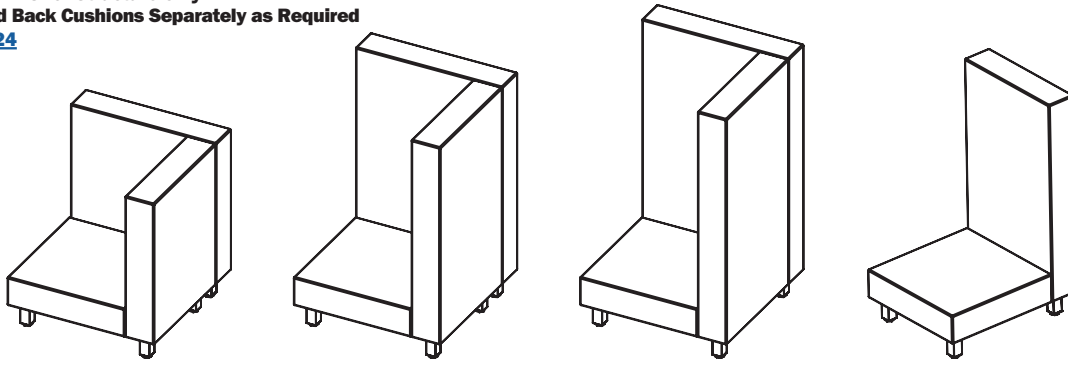
BENCH WITH 53" HIGH WALL

		COM/Yd	A/COM	B	C/COL	D	E	F	G	H	I	J/LEA
JX83/3053	30W x 24D Bench with 53" High Back Wall	3.65	\$2095	2181	2352	2524	2695	2867	3038	3210	3381	3553
JX83/3653L	30W x 24D Bench with 53" High Back Wall and Left Wall	6.31	\$3445	3593	3890	4187	4484	4781	5078	5374	5671	5968
JX83/3653R	30W x 24D Bench with 53" High Back Wall and Right Wall	6.31	\$3445	3593	3890	4187	4484	4781	5078	5374	5671	5968
JX83/4253LR	30W x 24D Bench with 53" High Back Wall and L & R Wall	8.91	\$4795	5004	5423	5842	6260	6679	7098	7516	7935	8354
JX83/6053	60W x 24D Bench with 53" High Back Wall	6.72	\$3645	3803	4119	4435	4751	5067	5382	5698	6014	6330
JX83/6653L	60W x 24D Bench with 53" High Back Wall and Left Wall	9.31	\$4995	5214	5652	6089	6527	6965	7403	7840	8278	8716
JX83/6653R	60W x 24D Bench with 53" High Back Wall and Right Wall	9.31	\$4995	5214	5652	6089	6527	6965	7403	7840	8278	8716
JX83/7253LR	60W x 24D Bench with 53" High Back Wall and L & R Wall	11.90	\$6345	6625	7184	7744	8304	8863	9423	9982	10542	11102
JX83/9053	90W x 24D Bench with 53" High Back Wall	9.79	\$4720	4950	5410	5871	6331	6791	7251	7712	8172	8632
JX83/9653L	90W x 24D Bench with 53" High Back Wall and Left Wall	12.38	\$6070	6361	6943	7525	8107	8690	9272	9854	10436	11018
JX83/9653R	90W x 24D Bench with 53" High Back Wall and Right Wall	12.38	\$6070	6361	6943	7525	8107	8690	9272	9854	10436	11018
JX83/10253LR	90W x 24D Bench with 53" High Back Wall and L & R Wall	14.98	\$7420	7772	8476	9180	9884	10588	11292	11996	12700	13404

BENCH WITH 72" HIGH WALL

JX83/3072	30W x 24D Bench with 72" High Back Wall	5.76	\$2395	2511	2744	2977	3210	3442	3675	3908	4140	4373
JX83/3672L	30W x 24D Bench with 72" High Back Wall and Left Wall	10.72	\$4045	4278	4743	5209	5674	6140	6605	7071	7536	8001
JX83/3672R	30W x 24D Bench with 72" High Back Wall and Right Wall	10.72	\$4045	4278	4743	5209	5674	6140	6605	7071	7536	8001
JX83/4272LR	30W x 24D Bench with 72" High Back Wall and L & R Wall	15.26	\$5695	6044	6741	7439	8137	8834	9532	10230	10927	11625
JX83/6072	60W x 24D Bench with 72" High Back Wall	11.13	\$4145	4399	4908	5417	5926	6434	6943	7452	7961	8470
JX83/6672L	60W x 24D Bench with 72" High Back Wall and Left Wall	16.07	\$5795	6144	6842	7540	8239	8937	9635	10333	11031	11730
JX83/6672R	60W x 24D Bench with 72" High Back Wall and Right Wall	16.07	\$5795	6144	6842	7540	8239	8937	9635	10333	11031	11730
JX83/7272LR	60W x 24D Bench with 72" High Back Wall and L & R Wall	20.61	\$7445	7910	8841	9771	10701	11632	12562	13492	14423	15353
JX83/9072	90W x 24D Bench with 72" High Back Wall	16.49	\$5470	5819	6516	7214	7912	8609	9307	10005	10702	11400
JX83/9672L	90W x 24D Bench with 72" High Back Wall and Left Wall	21.44	\$7120	7585	8516	9446	10376	11307	12237	13167	14098	15028
JX83/9672R	90W x 24D Bench with 72" High Back Wall and Right Wall	21.44	\$7120	7585	8516	9446	10376	11307	12237	13167	14098	15028
JX83/10272LR	90W x 24D Bench with 72" High Back Wall and L & R Wall	25.98	\$8770	9352	10515	11678	12841	14004	15167	16330	17493	18656
JX83/6072LR	48W x 24D Bench Booth with Back Wall & L&R Wall	15.26	\$6245	6628	7395	8161	8927	9694	10460	11226	11993	12759

Price and COM is for Structure only.
Add Seat and Back Cushions Separately as Required
[See Page 124](#)



CORNER BENCH SEAT BOX WITH BACK WALLS

CORNER WITH 35" HIGH WALLS

Corner for Seat Cushion

		COM/Yd	A/COM	B	C/COL	D	E	F	G	H	I	J/LEA
JX83/C9035C	90° Corner Bench with 35" High Back Walls	4.78	\$3,495	3607	3832	4056	4281	4505	4730	4954	5179	5403
JX83/C12035C	120° Corner Bench with 35" High Back Walls	4.78	\$3,895	4007	4232	4456	4681	4905	5130	5354	5579	5803
JX83/C13535C	135° Corner Bench with 35" High Back Walls	4.78	\$3,895	4007	4232	4456	4681	4905	5130	5354	5579	5803

CORNER WITH 47" HIGH WALLS

Corner for Seat Cushion

JX83/C9047C	90° Corner Bench with 47" High Back Walls	5.63	\$3,895	4027	4292	4556	4821	5085	5350	5614	5879	6143
JX83/C12047C	120° Corner Bench with 47" High Back Walls	5.63	\$4,295	4427	4692	4956	5221	5485	5750	6014	6279	6543
JX83/C13547C	135° Corner Bench with 47" High Back Walls	5.63	\$4,295	4427	4692	4956	5221	5485	5750	6014	6279	6543

CORNER WITH 53" HIGH WALLS

Corner for Seat Cushion

JX83/C9053C	90° Corner Bench with 53" High Back Walls	6.49	\$4,295	4448	4753	5058	5363	5668	5973	6278	6583	6888
JX83/C12053C	120° Corner Bench with 53" High Back Walls	6.49	\$4,695	4848	5153	5458	5763	6068	6373	6678	6983	7288
JX83/C13553C	135° Corner Bench with 53" High Back Walls	6.49	\$4,695	4848	5153	5458	5763	6068	6373	6678	6983	7288

CORNER WITH 72" HIGH WALLS

Corner for Seat Cushion

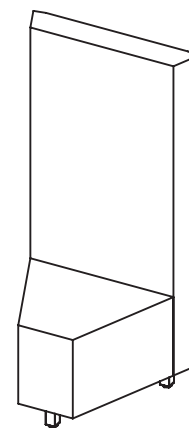
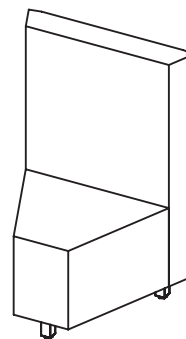
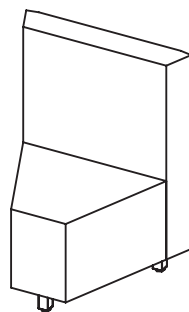
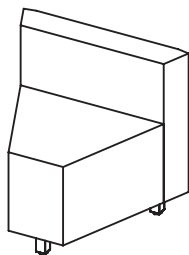
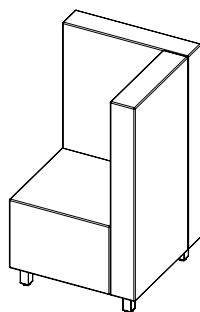
JX83/C9072C	90° Corner Bench with 72" High Back Walls	10.49	\$4,895	5139	5628	6116	6605	7093	7582	8070	8559	9047
JX83/C12072C	120° Corner Bench with 72" High Back Walls	10.49	\$5,295	5539	6028	6516	7005	7493	7982	8470	8959	9447
JX83/C13572C	135° Corner Bench with 72" High Back Walls	10.49	\$5,295	5539	6028	6516	7005	7493	7982	8470	8959	9447

CORNER BENCH WITH SINGLE BACK WALL

For Back to Back Sharing with 90° Corner Bench with Walls to Share Back Wall

JX83/2435C	24 x 24" Bench, 35" High Back Wall	2.80	\$2395	2461	2592	2724	2855	2987	3118	3250	3381	3513
JX83/2447C	24 x 24" Bench, 47" High Back Wall	3.03	\$2595	2666	2809	2951	3094	3236	3379	3521	3664	3806
JX83/2453C	24 x 24" Bench, 53" High Back Wall	3.89	\$2795	2887	3070	3253	3436	3619	3802	3985	4168	4351
JX83/2472C	24 x 24" Bench, 72" High Back Wall	4.71	\$3095	3206	3427	3648	3869	4090	4311	4532	4753	4974

Price and COM is for Structure only.
Add Seat and Back Cushions Separately as Required
See Page 124



CORNER TABLE WITH BACK WALLS

CORNER WITH 35" HIGH WALLS

Fully Upholstered Raised Corner Table

		COM/Yd	A/COM	B	C/COL	D	E	F	G	H	I	J/LEA
JX83/C9035CT	90° Upholstered Corner Table, 35" High Back Walls	5.65	\$3495	3628	3893	4159	4425	4690	4956	5222	5487	5753
JX83/C12035CT	120° Upholstered Corner Table, 35" High Back Wall	5.65	\$3895	4028	4293	4559	4825	5090	5356	5622	5887	6153
JX83/C13535CT	135° Upholstered Corner Table, 35" High Back Wall	5.65	\$3895	4028	4293	4559	4825	5090	5356	5622	5887	6153

CORNER WITH 47" HIGH WALLS

Fully Upholstered Raised Corner Table

JX83/C9047CT	90° Upholstered Corner Table, 47" High Back Walls	7.36	\$3895	4068	4414	4760	5106	5452	5798	6144	6490	6836
JX83/C12047CT	120° Upholstered Corner Table, 47" High Back Wall	7.36	\$4295	4468	4814	5160	5506	5852	6198	6544	6890	7236
JX83/C13547CT	135° Upholstered Corner Table, 47" High Back Wall	7.36	\$4295	4468	4814	5160	5506	5852	6198	6544	6890	7236

CORNER WITH 53" HIGH WALLS

Fully Upholstered Raised Corner Table

JX83/C9053CT	90° Upholstered Corner Table, 53" High Back Walls	7.36	\$4295	4468	4814	5160	5506	5852	6198	6544	6890	7236
JX83/C12053CT	120° Upholstered Corner Table, 53" High Back Wall	7.36	\$4695	4868	5214	5560	5906	6252	6598	6944	7290	7636
JX83/C13553CT	135° Upholstered Corner Table, 53" High Back Wall	7.36	\$4695	4868	5214	5560	5906	6252	6598	6944	7290	7636

CORNER WITH 72" HIGH WALLS

Fully Upholstered Raised Corner Table

JX83/C9072CT	90° Upholstered Corner Table, 72" High Back Walls	10.75	\$4895	5148	5653	6158	6664	7169	7674	8180	8685	9190
JX83/C12072CT	120° Upholstered Corner Table, 72" High Back Wall	10.75	\$5295	5548	6053	6558	7064	7569	8074	8580	9085	9590
JX83/C13572CT	135° Upholstered Corner Table, 72" High Back Wall	10.75	\$5295	5548	6053	6558	7064	7569	8074	8580	9085	9590

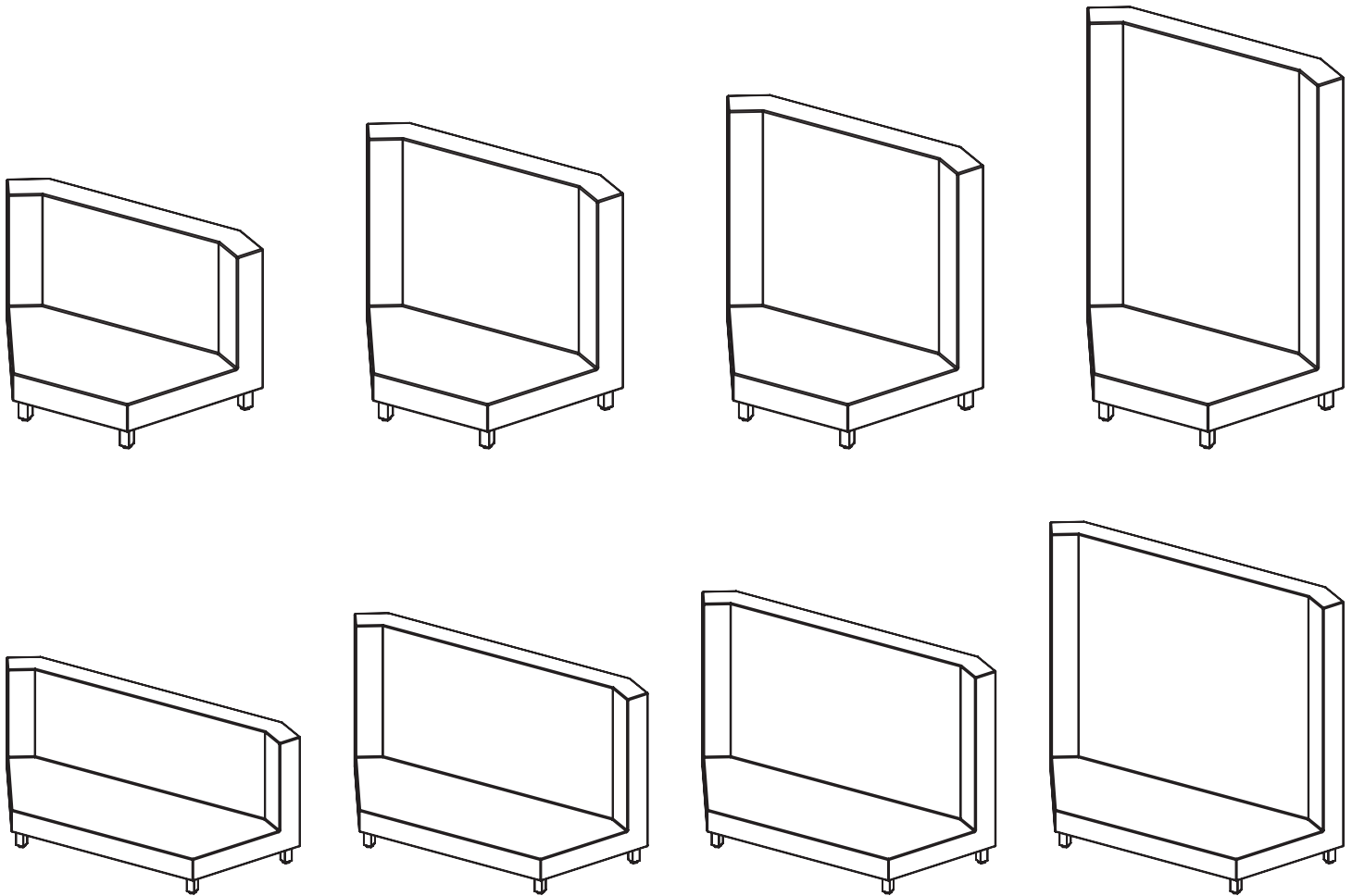
90 DEGREE 24 X 24 CORNER TABLE WITH 1 WALL

For Back to Back Sharing with 90° Corner with Walls to Share Back Wall

JX83/2435CT	90° Upholstered Corner Table, 35" High Back Wall	3.42	\$2,395	2475	2636	2796	2957	3117	3278	3438	3599	3759
JX83/2447CT	90° Upholstered Corner Table, 47" High Back Wall	4.77	\$2,595	2707	2931	3155	3379	3603	3827	4051	4275	4499
JX83/2453CT	90° Upholstered Corner Table, 53" High Back Wall	4.77	\$2,795	2907	3131	3355	3579	3803	4027	4251	4475	4699
JX83/2472CT	90° Upholstered Corner Table, 72" High Back Wall	5.95	\$3,095	3235	3514	3794	4073	4353	4632	4912	5191	5471

For Optional Surfaces for Corner Tables [on page 112](#)

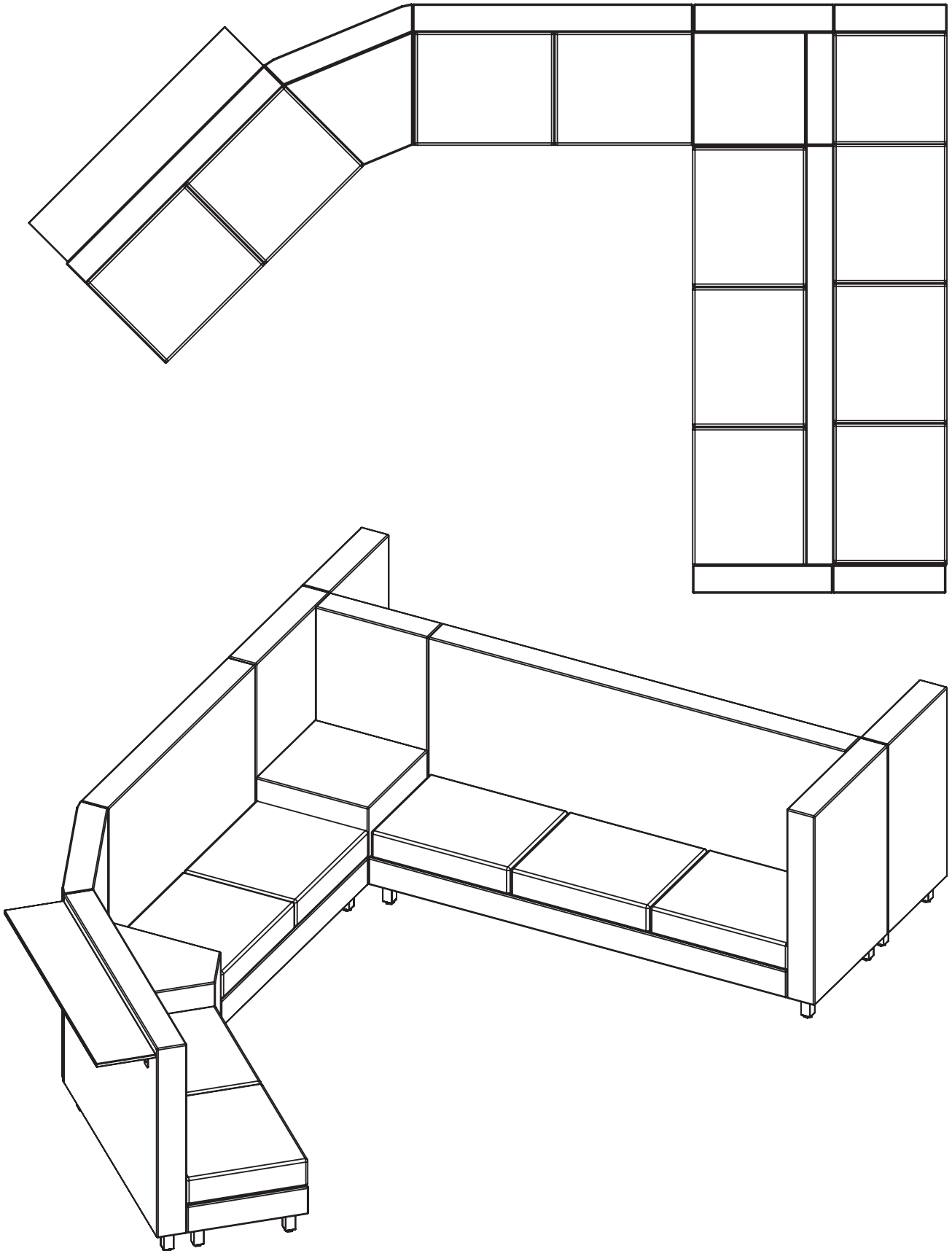
Price and COM is for Structure only.
Add Seat and Back Cushions Separately as Required
[See Page 124](#)



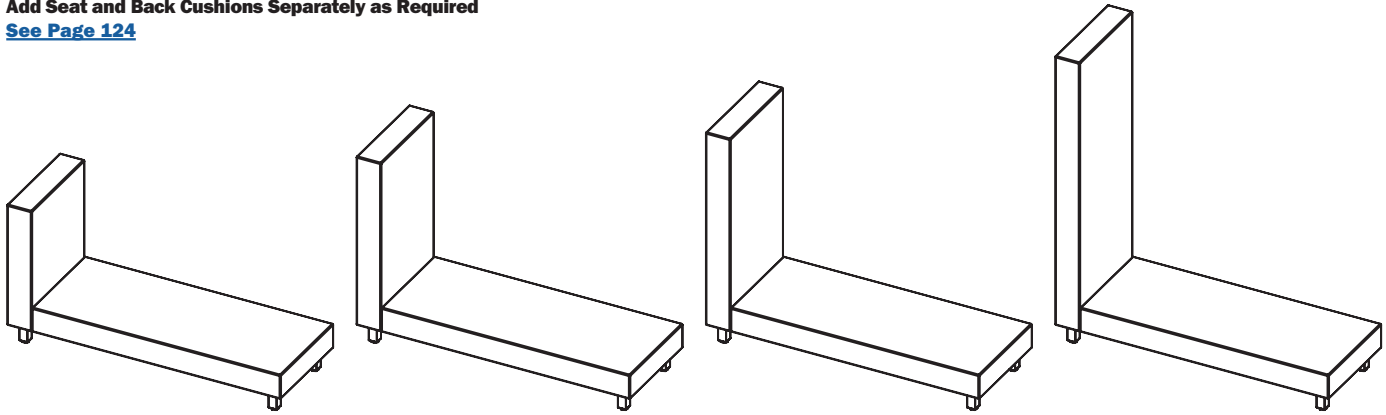
WEDGE BENCHES WITH BACK WALL

		COM/Yd	A/COM	B	C/COL	D	E	F	G	H	I	J/LEA
JX83/2435WG	24W x 24D Wedge Seat with 35" High Back Wall	4.16	\$2,034	2132	2328	2524	2720	2916	3112	3308	3504	3700
JX83/4835WG	48W x 24D Wedge Seat with 35" High Back Wall	6.19	\$3,294	3440	3731	4022	4313	4604	4895	5186	5477	5768
JX83/2447WG	24W x 24D Wedge Seat with 47" High Back Wall	5.53	\$2,274	2404	2664	2924	3184	3444	3704	3964	4224	4484
JX83/4847WG	48W x 24D Wedge Seat with 47" High Back Wall	9.57	\$3,894	4119	4569	5019	5469	5919	6369	6819	7269	7719
JX83/2453WG	24W x 24D Wedge Seat with 53" High Back Wall	6.13	\$2,514	2658	2945	3233	3520	3808	4095	4383	4670	4958
JX83/4853WG	48W x 24D Wedge Seat with 53" High Back Wall	9.57	\$4,374	4599	5049	5499	5949	6399	6849	7299	7749	8199
JX83/2472WG	24W x 24D Wedge Seat with 72" High Back Wall	7.96	\$2,874	3061	3435	3809	4183	4557	4931	5305	5679	6053
JX83/4872WG	48W x 24D Wedge Seat with 72" High Back Wall	11.15	\$4,974	5236	5761	6285	6810	7334	7859	8383	8908	9432

Price and COM is for Structure only.
Add Seat and Back Cushions Separately as Required
[See Page 124](#)

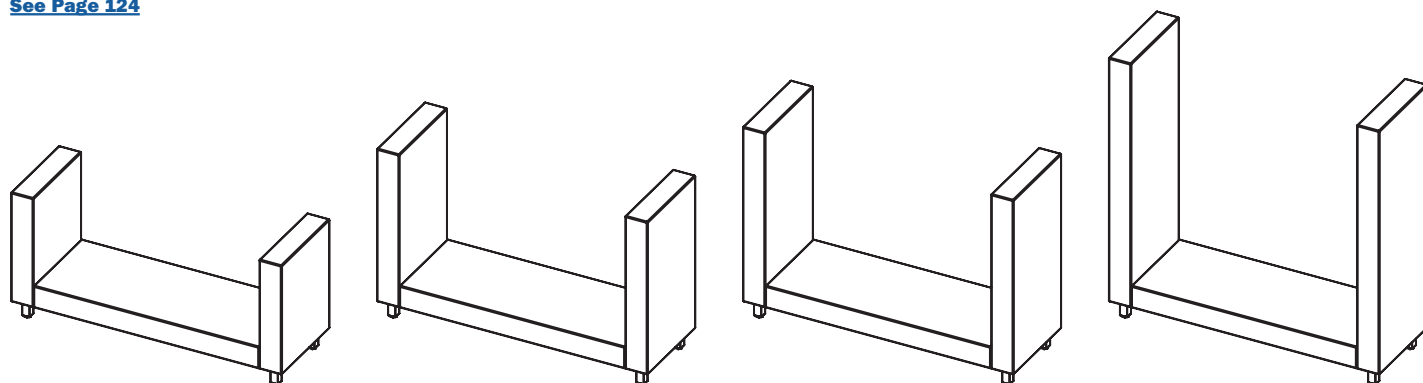


Price and COM is for Structure only.
Add Seat and Back Cushions Separately as Required
[See Page 124](#)



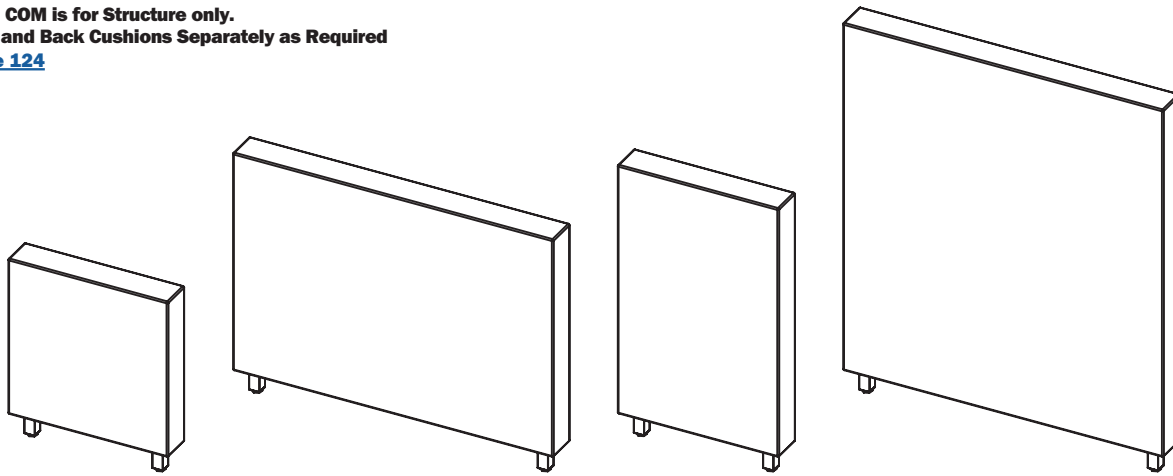
BENCHES WITH END WALLS		COM/Yd	A/COM	B	C/COL	D	E	F	G	H	I	J/LEA
Can be Used Stand Alone or Back-to-Back with Other Units to Share Common Back Wall and/or Corresponding End Walls												
BENCH WITH 35" HIGH END WALLS												
JX81/3635L	30W x 24D Bench with 35" High Left Wall	2.73	\$1695	1759	1887	2016	2144	2272	2400	2528	2657	2785
JX81/3635R	30W x 24D Bench with 35" High Right Wall	2.73	\$1695	1759	1887	2016	2144	2272	2400	2528	2657	2785
JX81/4235LR	30W x 24D Bench with 35" High Left & Right Wall	4.37	\$2645	2748	2953	3159	3365	3570	3776	3981	4187	4393
JX81/6635L	60W x 24D Bench with 35" High Left Wall	3.24	\$2445	2521	2674	2826	2979	3131	3284	3436	3588	3741
JX81/6635R	60W x 24D Bench with 35" High Right Wall	3.24	\$2445	2521	2674	2826	2979	3131	3284	3436	3588	3741
JX81/7235LR	60W x 24D Bench with 35" High Left & Right Wall	4.51	\$3395	3501	3713	3925	4137	4349	4561	4773	4985	5197
JX81/9635L	90W x 24D Bench with 35" High Left Wall	3.76	\$2945	3033	3210	3387	3564	3740	3917	4094	4270	4447
JX81/9635R	90W x 24D Bench with 35" High Right Wall	3.76	\$2945	3033	3210	3387	3564	3740	3917	4094	4270	4447
JX81/10235LR	90W x 24D Bench with 35" High Left & Right Wall	5.43	\$3895	4023	4278	4533	4788	5044	5299	5554	5809	6065
BENCH WITH 47" HIGH END WALLS												
JX81/3647L	30W x 24D Bench with 47" High Left Wall	3.30	\$1895	1973	2128	2283	2439	2594	2749	2905	3060	3215
JX81/3647R	30W x 24D Bench with 47" High Right Wall	3.30	\$1895	1973	2128	2283	2439	2594	2749	2905	3060	3215
JX81/4247LR	30W x 24D Bench with 47" High Left & Right Wall	7.89	\$3045	3174	3432	3690	3948	4207	4465	4723	4981	5239
JX81/6647L	60W x 24D Bench with 47" High Left Wall	4.16	\$2645	2743	2939	3134	3330	3526	3722	3918	4113	4309
JX81/6647R	60W x 24D Bench with 47" High Right Wall	4.16	\$2645	2743	2939	3134	3330	3526	3722	3918	4113	4309
JX81/7247LR	60W x 24D Bench with 47" High Left & Right Wall	5.49	\$3795	3924	4182	4440	4698	4957	5215	5473	5731	5989
JX81/9647L	90W x 24D Bench with 47" High Left Wall	4.30	\$3145	3246	3448	3650	3852	4055	4257	4459	4661	4863
JX81/9647R	90W x 24D Bench with 47" High Right Wall	4.30	\$3145	3246	3448	3650	3852	4055	4257	4459	4661	4863
JX81/10247LR	90W x 24D Bench with 47" High Left & Right Wall	6.55	\$4295	4449	4757	5065	5372	5680	5988	6296	6604	6911

Price and COM is for Structure only.
Add Seat and Back Cushions Separately as Required
[See Page 124](#)



BENCHES WITH END WALLS (CONT.)		COM/Yd	A	COM B	C	COL D	E	F	G	H	I	J/LEA
BENCH WITH 53" HIGH END WALLS												
JX81/3653L	30W x 24D Bench with 53" High Left Wall	3.30	\$2095	2173	2328	2483	2639	2794	2949	3105	3260	3415
JX81/3653R	30W x 24D Bench with 53" High Right Wall	3.30	\$2095	2173	2328	2483	2639	2794	2949	3105	3260	3415
JX81/4253LR	30W x 24D Bench with 53" High Left & Right Wall	5.49	\$3445	3574	3832	4090	4348	4607	4865	5123	5381	5639
JX81/6653L	60W x 24D Bench with 53" High Left Wall	4.16	\$2845	2943	3139	3334	3530	3726	3922	4118	4313	4509
JX81/6653R	60W x 24D Bench with 53" High Right Wall	4.16	\$2845	2943	3139	3334	3530	3726	3922	4118	4313	4509
JX81/7253LR	60W x 24D Bench with 53" High Left & Right Wall	6.35	\$4195	4344	4643	4941	5240	5539	5837	6136	6434	6733
JX81/9653L	90W x 24D Bench with 53" High Left Wall	4.30	\$3345	3446	3648	3850	4052	4255	4457	4659	4861	5063
JX81/9653R	90W x 24D Bench with 53" High Right Wall	4.30	\$3345	3446	3648	3850	4052	4255	4457	4659	4861	5063
JX81/10253LR	90W x 24D Bench with 53" High Left & Right Wall	6.55	\$4695	4849	5157	5465	5772	6080	6388	6696	7004	7311
BENCH WITH 72" HIGH END WALLS												
JX81/3672L	30W x 24D Bench with 72" High Left Wall	4.71	\$2395	2545	2766	2987	3209	3430	3651	3872	4093	4314
JX81/3672R	30W x 24D Bench with 72" High Right Wall	4.71	\$2395	2545	2766	2987	3209	3430	3651	3872	4093	4314
JX81/4272LR	30W x 24D Bench with 72" High Left & Right Wall	7.06	\$4045	4095	4427	4759	5091	5423	5755	6087	6419	6752
JX81/6072LR	48W x 24D Bench with 72" High Left & Right Wall	7.06	\$4395	4561	4893	5225	5557	5889	6221	6553	6885	7218
JX81/6672L	60W x 24D Bench with 72" High Left Wall	4.71	\$3145	3256	3477	3698	3919	4140	4362	4583	4804	5025
JX81/6672R	60W x 24D Bench with 72" High Right Wall	4.71	\$3145	3256	3477	3698	3919	4140	4362	4583	4804	5025
JX81/7272LR	60W x 24D Bench with 72" High Left & Right Wall	8.70	\$4795	4967	5310	5653	5996	6339	6682	7025	7368	7711
JX81/9672L	90W x 24D Bench with 72" High Left Wall	5.45	\$3645	3768	4013	4259	4504	4749	4995	5240	5486	5731
JX81/9672R	90W x 24D Bench with 72" High Right Wall	5.45	\$3645	3768	4013	4259	4504	4749	4995	5240	5486	5731
JX81/10272LR	90W x 24D Bench with 72" High Left & Right Wall	9.51	\$5295	5489	5878	6267	6655	7044	7433	7821	8210	8599

Price and COM is for Structure only.
Add Seat and Back Cushions Separately as Required
[See Page 124](#)



JOINING WALLS

		COM/Yd	A/COM	B	C/COL	D	E	F	G	H	I	J/LEA
JOINING WALLS 35" HIGH												
JX84/2435	24" Wide Joining Wall, 35" High	2.19	\$1100	1147	1240	1334	1427	1521	1614	1707	1801	1894
JX84/3035	30" Wide Joining Wall, 35" High	2.59	\$1100	1155	1266	1377	1488	1598	1709	1820	1931	2042
JX84/3635	36" Wide Joining Wall, 35" High	3.00	\$1150	1214	1342	1470	1598	1726	1855	1983	2111	2239
JX84/4235	42" Wide Joining Wall, 35" High	3.42	\$1250	1323	1469	1615	1761	1907	2053	2199	2345	2491
JX84/4835	48" Wide Joining Wall, 35" High	3.82	\$1250	1332	1495	1658	1821	1985	2148	2311	2475	2638
JX84/6035	60" Wide Joining Wall, 35" High	4.64	\$1400	1499	1698	1896	2095	2293	2491	2690	2888	3087
JX84/7235	72" Wide Joining Wall, 35" High	5.45	\$1700	1817	2050	2283	2516	2749	2982	3215	3448	3681
JX84/9035	90" Wide Joining Wall, 35" High	6.68	\$1825	1968	2253	2539	2825	3110	3396	3681	3967	4253
JOINING WALLS 47" HIGH												
JX84/2447	24" Wide Joining Wall, 47" High	2.19	\$1300	1347	1440	1534	1627	1721	1814	1907	2001	2094
JX84/3047	30" Wide Joining Wall, 47" High	2.59	\$1300	1355	1466	1577	1688	1798	1909	2020	2131	2242
JX84/3647	36" Wide Joining Wall, 47" High	3.00	\$1350	1414	1542	1670	1798	1926	2055	2183	2311	2439
JX84/4247	42" Wide Joining Wall, 47" High	3.42	\$1550	1623	1769	1915	2061	2207	2353	2499	2645	2791
JX84/4847	48" Wide Joining Wall, 47" High	3.82	\$1550	1632	1795	1958	2121	2285	2448	2611	2775	2938
JX84/6047	60" Wide Joining Wall, 47" High	4.64	\$1900	1999	2198	2396	2595	2793	2991	3190	3388	3587
JX84/7247	72" Wide Joining Wall, 47" High	5.45	\$2000	2117	2350	2583	2816	3049	3282	3515	3748	3981
JX84/9047	90" Wide Joining Wall, 47" High	6.68	\$2375	2518	2803	3089	3375	3660	3946	4231	4517	4803
JOINING WALLS 53" HIGH												
JX84/2453	24" Wide Joining Wall, 53" High	3.03	\$1500	1565	1695	1824	1954	2084	2213	2343	2473	2602
JX84/3053	30" Wide Joining Wall, 53" High	3.65	\$1500	1578	1734	1890	2046	2202	2358	2514	2669	2825
JX84/3653	36" Wide Joining Wall, 53" High	4.26	\$1550	1641	1823	2005	2188	2370	2552	2734	2916	3098
JX84/4253	42" Wide Joining Wall, 53" High	4.88	\$1650	1754	1963	2171	2379	2588	2796	3005	3213	3422
JX84/4853	48" Wide Joining Wall, 53" High	5.49	\$1650	1767	2002	2237	2471	2706	2941	3175	3410	3645
JX84/6053	60" Wide Joining Wall, 53" High	6.72	\$2200	2344	2631	2918	3205	3492	3779	4067	4354	4641
JX84/7253	72" Wide Joining Wall, 53" High	7.95	\$2300	2470	2810	3149	3489	3829	4168	4508	4848	5187
JX84/9053	90" Wide Joining Wall, 53" High	9.79	\$2875	3084	3503	3921	4339	4758	5176	5595	6013	6432
JOINING WALLS 72" HIGH												
JX84/2472	24" Wide Joining Wall, 72" High	4.71	\$1800	1901	2102	2303	2504	2705	2906	3107	3308	3509
JX84/3072	30" Wide Joining Wall, 72" High	4.95	\$1800	1906	2117	2329	2541	2752	2964	3175	3387	3598
JX84/3672	36" Wide Joining Wall, 72" High	4.95	\$1850	1956	2167	2379	2591	2802	3014	3225	3437	3648
JX84/4272	42" Wide Joining Wall, 72" High	7.06	\$2000	2151	2453	2755	3057	3358	3660	3962	4264	4566
JX84/4872	48" Wide Joining Wall, 72" High	7.30	\$2000	2156	2468	2780	3091	3403	3715	4027	4339	4651
JX84/6072	60" Wide Joining Wall, 72" High	9.90	\$2800	3012	3435	3858	4281	4704	5127	5550	5974	6397
JX84/7272	72" Wide Joining Wall, 72" High	9.90	\$2900	3112	3535	3958	4381	4804	5227	5650	6074	6497
JX84/9072	90" Wide Joining Wall, 72" High	14.84	\$3625	3942	4576	5211	5845	6479	7113	7747	8382	9016

NOTES

Each Joining Wall Include 2 Legs & Requires Connection at Right Angle for Stability.
 Orders Must Include a Diagram to Show Direction of Joining Each Wall: End to End or End to Side.

WALL MOUNTED DOWN LIGHT

Model	Description	Price
L-WMD01-400	LED wall mounted down light with switch and plug	\$445

WALL MOUNTED GOOSENECK TASK LIGHT

Model	Description	Price
L-WMGT01-100	LED Wall mounted gooseneck task light with switch & plug	\$445

TV BRACKETS

	TV bracket for screen size 26" to 48"	\$345
TVBRACKET2	TV Tilt bracket for screen size 32" to 55"	\$395
TVBRACKET3	TV Articulating bracket for screen size 32 to 65"	\$495
NOTE	TV Brackets are pre-installed on the wall and include cut-out and grommet in the wall for power/cable access inside the wall.	

WORK SHELVES

Standard Designer White Laminate on one side and Silver on the reverse side, with Silver PVC edging.

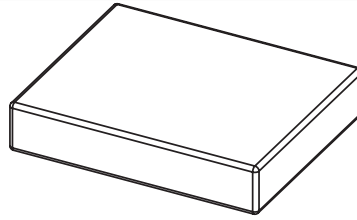
Height of Shelf:	Mounted at Bar Height 42" on 47" or 53" High Wall Mounted at Desk Height 29" on 35" High Wall	
STANDARD		
JX-WS3012	Shelf 30W x 12D for 30" Wall	\$250
JX-WS4812	Shelf 30W x 12D for 48" Wall	\$295
JX-WS6012	Shelf 60W x 12D for 60" Wall	\$295
JX-WS9012	Shelf 90W x 12D for 90" Wall	\$395
WEDGE SHAPED	For Wedge Back Wall	
JX-WS2412WG	54 x 12" Wedge Shelf for 24" Wedge Back Wall	\$750
JX-WS4812WG	78 x 12" Wedge Shelf for 48" Wedge Back Wall	\$1,062
Option for Wedge:		
Straight Shelves:	For Straight Length of Wedge Back Wall	
JX-WS3612	Shelf 36W x 12D for 24" Wedge	\$295
JX-WS6012	Shelf 60W x 12D for 48" Wedge	\$295

KICK PLATES

In Frosted Adrylic, Mounted on Wall

JX-KP3015-AQ	30W x 15H Kick Plate for 30" Wall	\$329
JX-KP4815-AQ	48W x 15H Kick Plate for 48" Wall	\$369
JX-KP6015-AQ	60W x 15H Kick Plate for 60" Wall	\$571
JX-KP9015-AQ	90W x 15H Kick Plate for 90" Wall	\$583

SEAT & BACK CUSHIONS



SEAT CUSHIONS

COM/Yd A/COM B C/COL D E F G H I J/LEA

STANDARD

For All Units Select Seat Cushions.

SEAT CUSHIONS

JX3024-SEAT/1	1 Seat Cushion for 30" Wide Seat Unit	1.30	\$330	357	412	467	522	577	632	687	742	797
JX3024-SEAT/2	2 Seat Cushions for 60" Wide Seat Unit	2.60	\$660	714	824	934	1044	1154	1264	1374	1484	1594
JX3024-SEAT/3	3 Seat Cushions for 90" Wide Seat Unit	3.90	\$990	1071	1236	1401	1566	1731	1896	2061	2226	2391
JX3030-SEAT/1	1 Seat Cushion for 30" x 30" Seat Unit	1.4	\$390	427	502	577	652	727	802	877	952	1027

WEDGE

JX2424WG-SEAT	Cushion for 24 x 48W x 24D Wedge Seat	1.77	\$660	702	785	868	951	1034	1117	1201	1284	1367
JX4824WG-SEAT/2	Cushion Set of 2 for 48 x 72W x 24D Wedge Seat	4.62	\$792	901	1118	1335	1552	1769	1986	2203	2421	2638

FOR PRIVACY POD ONLY:

Seat Size is 2 of 24" Wide Modules = 48" W Total

Select:

SEAT CUSHIONS

Select 1 Seat Cushion for Each 24" Wide Seat Unit

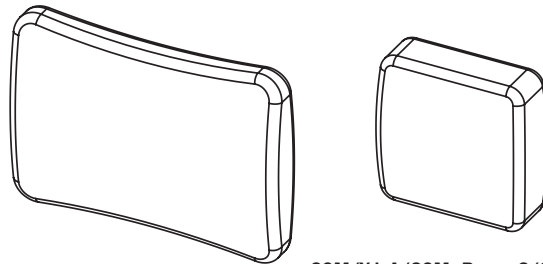
JX2424-SEAT/1	1 Seat Cushion for Each 24" Wide Seat Unit	1.30	\$280	307	362	417	472	527	582	637	692	747
JX2424-SEAT/2	2 Seat Cushions for 48" Wide Seat Unit	2.60	\$560	614	724	834	944	1054	1164	1274	1384	1494

FOR CORNER BENCHES WITH NO WALLS OR WITH WALLS

JXC90C-SEAT/1	1 Seat Cushion for 90° Corner Bench	1.3	\$280	307	362	417	472	527	582	637	692	747
JXC120C-SEAT/1	1 Seat Cushion for 120° Corner Bench	1.3	\$280	307	362	417	472	527	582	637	692	747
JXC135C-SEAT/1	1 Seat Cushion for 135° Corner Bench	1.3	\$280	307	362	417	472	527	582	637	692	747

FOR 30 X 30 CORNER UNIT

JX3030-SEAT/1	1 Seat Cushion for 30" x 30" Seat Unit	1.40	\$390	427	502	577	652	727	802	877	952	1027
---------------	----------------------------------------	------	-------	-----	-----	-----	-----	-----	-----	-----	-----	------



LOOSE BACK CUSHIONS

COM/Yd A/COM B C/COL D E F G H I J/LEA

STANDARD

64-CSH3018BX/1	1 Loose 30 x 18 Back Cushion, Box Edge, for 30" Wide Seat Unit	1.40	\$275	307	372	437	502	567	632	697	762	827
64-CSH3018BX/2	2 Loose 30 x 18 Back Cushions, Box Edge, for 60" Wide Seat Unit	2.80	\$550	614	744	874	1004	1134	1264	1394	1524	1654
64-CSH3018BX/3	3 Loose 30 x 18 Back Cushions, Box Edge, for 90" Wide Seat Unit	4.20	\$825	921	1116	1311	1506	1701	1896	2091	2286	2481

WEDGE

64-CSH3018BX/WG1	1 Loose 30 x 18 Back Cushion, Box Edge, for 30" Wedge	1.4	\$275	307	372	437	502	567	632	697	762	827
64-CSH3018BX/WG2	2 Loose 30 x 18 Back Cushions, Box Edge, for 48" Wedge	2.8	\$550	614	744	874	1004	1134	1264	1394	1524	1654

PRIVACY POD

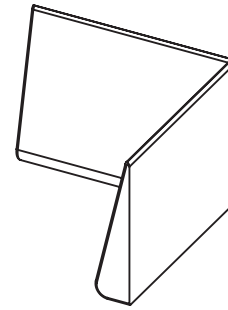
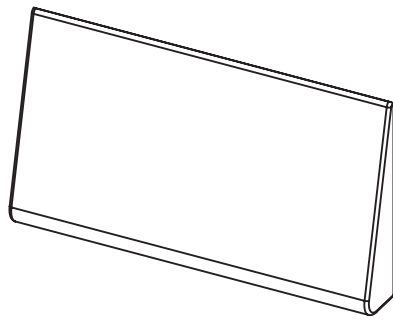
Seat size is 2 of 24" wide modules = 48" W Total. Select 1 per Each 24" Wide Seat Unit

64-CSH2418BX/1	1 Loose 24 x 18 Back Cushion for 24" Wide Seat Unit	1.40	\$275	307	372	437	502	567	632	697	762	827
64-CSH2418BX/2	2 Loose 24 x 18 Back Cushions for 48" Wide Seat Unit	2.80	\$550	614	744	874	1004	1134	1264	1394	1524	1654

NOTES

Box shaped edge is standard for Back Cushions, but Flange or Piping edge can be selected.

THROW & BOLSTER CUSHIONS



FIXED BACK CUSHIONS

STANDARD

		COM/Yd	A/COM	B	C/COL	D	E	F	G	H	I	J/LEA
64-BBF3018	Fixed Back Cushion For 30" Wide Back Wall	1.10	\$275	300	350	400	450	500	550	600	650	700
64-BBF6018	Fixed Back Cushion For 60" Wide Back Wall	2.20	\$550	598	693	788	883	978	1073	1168	1263	1358
64-BBF7218	Fixed Back Cushion for 72" Wide Back Wall	2.7	\$722	784	908	1031	1155	1279	1403	1526	1650	1774
64-BBF9018	Fixed Back Cushion For 90" Wide Back Wall	2.90	\$825	895	1035	1175	1315	1455	1595	1735	1875	2015

PRIVACY POD

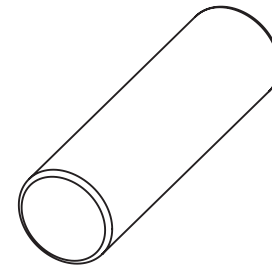
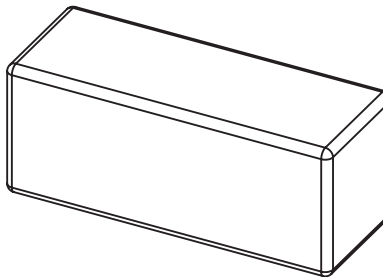
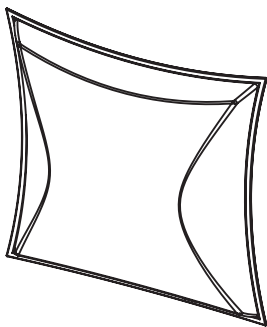
64-BBF4818	Fixed Back Cushion For 48" Wide Back Wall	1.80	\$481	523	605	688	770	853	935	1018	1100	1183
------------	-------------------------------------------	------	-------	-----	-----	-----	-----	-----	-----	------	------	------

90° CORNER

64-BBF/C90C	Fixed Mitered Back Cushion For 90° Corner Back Wall	2.20	\$660	717	831	945	1059	1173	1287	1401	1515	1629
-------------	-----------------------------------------------------	------	-------	-----	-----	-----	------	------	------	------	------	------

WEDGE

64-BBF3618WG	Fixed Back Cushion for Back Wall for 24" Wedge	1.27	\$440	470	529	589	648	708	767	827	886	946
64-BBF6018WG	Fixed Back Cushion For Back Wall for 48" Wedge	2.20	\$550	598	693	788	883	978	1073	1168	1263	1358



OPTIONAL LOOSE THROW CUSHIONS FOR ALL UNITS

		COM/Yd	A/COM	B	C/COL	D	E	F	G	H	I	J/LEA
64-CSH168FL	Loose Throw Cushion 16 x 8 - Flange Edge	0.50	\$205	214	231	249	266	284	301	319	336	354
64-CSH1616FL	Loose Throw Cushion 16 x 16 - Flange Edge	0.80	\$225	243	278	313	348	383	418	453	488	523

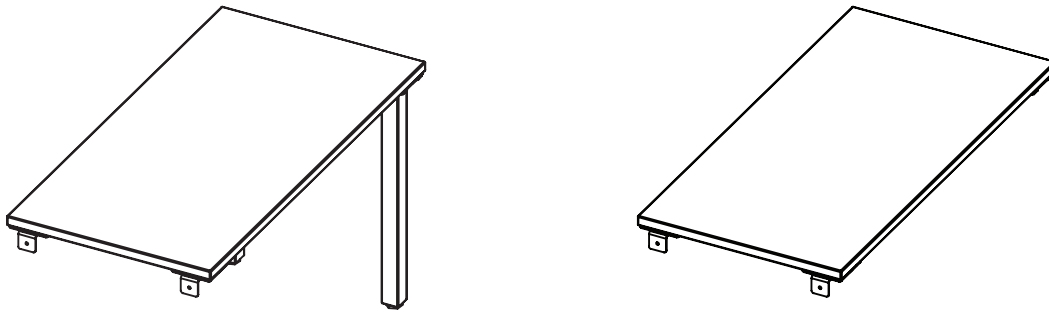
Flange Shaped Edge is Standard for Throw Cushions, but Box or Piping Edge can be Selected.

OPTIONAL LOOSE BOLSTER CUSHIONS FOR ALL UNITS

		COM/Yd	A/COM	B	C/COL	D	E	F	G	H	I	J/LEA
64-CSH1686	Loose Rectangular Bolster Cushion 16 x 8 x 6"	0.60	\$225	239	266	294	321	349	376	404	431	459
64-CSH6D16	Loose Round Bolster Cushion 16" x 6" Diameter	0.60	\$245	258	283	308	333	358	383	408	433	458
64-CSH6D21	Loose Round Bolster Cushion 21" x 6" Diameter	0.60	\$245	258	283	308	333	358	383	408	433	458

ARM DIVIDER BETWEEN SEAT CUSHIONS

		COM/Yd	A/COM	B	C/COL	D	E	F	G	H	I	J/LEA
64-CSH6D1686ARM	Seat Arm Divider - Rectangular	0.60	\$295	309	336	364	391	419	446	474	501	529
64-CSH6D16ARM	Seat Arm Divider - Round	0.60	\$295	309	336	364	391	419	446	474	501	529



WORKTOPS

FOR ATTACHMENT TO JUNXION WALLS

All Tops are High Pressure Laminate with Equal Balanced Backer on 1 1/8" Superior Grade CARB Particle Board with 3mm PVC Edging. Surface's Dauphin Standard Laminate, Designer White. Worktop Sizes are Shown as W x D: "W" is the Width (or Length) and "D" is the Depth of the Table, Which is the Short Side of the Table. Rectangular Tables Wider Than 36" Have 2 Grommets Along the Width Side of the Table. Peninsula Tables are Standard with no Grommets.

The Worktop Tables are all Standard 29" Desk Height. These can be Attached to 35", 47", 53" and 72" High Walls. For Bar Height 42" Worktop Tables, add \$200 list and Specify "Bar Height". These can be Attached to 47", 53" and 72" High Walls.

Shown Below are Standard Connections. Other Connections are Possible as Special Order.

2 LEG TABLE FOR WALL CONNECTION

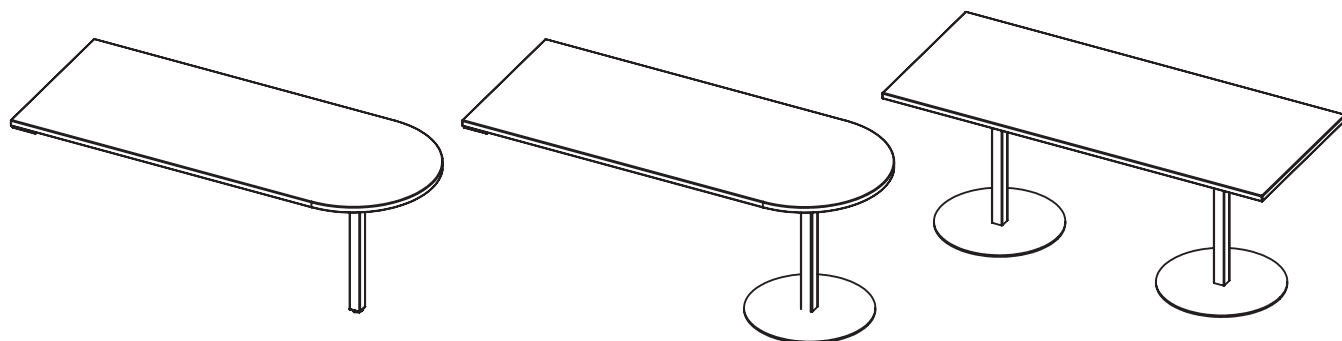
1 Side of Table is Attached to Wall, other Side has 2 legs. Table can be Attached Along the W side or the D side to a Wall of Same Measurement
Example: 60x30 Table can be Attached to Either 60" or 30" Wall

K-P2/0/WB2-K2424	24W x 24D Table, 2 Post Legs, for wall connection	\$583
K-P2/0/WB2-K3024	30W x 24D Table, 2 Post Legs, for wall connection	\$614
K-P2/0/WB2-K3624	36W x 24D Table, 2 Post Legs, for wall connection	\$654
K-P2/0/WB2-K4824	48W x 24D Table, 2 Post Legs, for wall connection	\$711
K-P2/0/WB2-K6024	60W x 24D Table, 2 Post Legs, for wall connection	\$774
K-P2/0/WB2-K7224	72W x 24D Table, 2 Post Legs, for wall connection	\$842
K-P3/0/WB2-K9024	90W x 24D Table, 3 Post Legs, for wall connection	\$1108
K-P2/0/WB2-K2430	24W x 30D Table, 2 Post Legs, for wall connection	\$614
K-P2/0/WB2-K3030	30W x 30D Table, 2 Post Legs, for wall connection	\$671
K-P2/0/WB2-K3630	36W x 30D Table, 2 Post Legs, for wall connection	\$702
K-P2/0/WB2-K4830	48W x 30D Table, 2 Post Legs, for wall connection	\$764
K-P2/0/WB2-K6030	60W x 30D Table, 2 Post Legs, for wall connection	\$875
K-P2/0/WB2-K7230	72W x 30D Table, 2 Post Legs, for wall connection	\$961
K-P3/0/WB2-K9030	90W x 30D Table, 3 Post Legs, for wall connection	\$1337

NO LEG RECTANGULAR TABLE FOR WALL CONNECTION

The 24" or 30" D side of the top is suspended on each end between Walls

K-P0/0/WB4-K2424	24W x 24D Table, no legs, for wall to wall connection	\$479
K-P0/0/WB4-K3024	30W x 24D Table, no legs, for wall to wall connection	\$510
K-P0/0/WB4-K3624	36W x 24D Table, no legs, for wall to wall connection	\$550
K-P0/0/WB4-K4824	48W x 24D Table, no legs, for wall to wall connection	\$607
K-P0/0/WB4-K6024	60W x 24D Table, no legs, for wall to wall connection	\$670
K-P0/0/WB4-K7224	72W x 24D Table, no legs, for wall to wall connection	\$738
K-P0/0/WB5-K9024	90W x 24D Table, no legs, for wall to wall connection	\$1056
K-P0/0/WB4-K2430	24W x 30D Table, no legs, for wall to wall connection	\$510
K-P0/0/WB4-K3030	30W x 30D Table, no legs, for wall to wall connection	\$567
K-P0/0/WB4-K3630	36W x 30D Table, no legs, for wall to wall connection	\$598
K-P0/0/WB4-K4830	48W x 30D Table, no legs, for wall to wall connection	\$661
K-P0/0/WB4-K6030	60W x 30D Table, no legs, for wall to wall connection	\$771
K-P0/0/WB4-K7230	72W x 30D Table, no legs, for wall to wall connection	\$858
K-P0/0/WB5-K9030	90W x 30D Table, no legs, for wall to wall connection	\$1208



1 LEG PENINSULA TABLE FOR WALL CONNECTION

The Short straight side of the top is attached to the Wall, the Peninsula side of the top is supported by 1 Leg

K-P1-0-WB2-KP4824	48W x 24D Peninsula table, 1 leg, for wall connection	\$659
K-P1-0-WB2-KP6024	60W x 24D Peninsula table, 1 leg, for wall connection	\$722
K-P1-0-WB2-KP7224	72W x 24D Peninsula table, 1 leg, for wall connection	\$790
K-P1-0-WB2-KP4830	48W x 30D Peninsula table, 1 leg, for wall connection	\$712
K-P1-0-WB2-KP6030	60W x 30D Peninsula table, 1 leg, for wall connection	\$823
K-P1-0-WB2-KP7230	72W x 30D Peninsula table, 1 leg, for wall connection	\$910

1 LEG/DISC BASE PENINSULA TABLE

The Short straight side of the top is attached to the Wall, the Peninsula side of the top is supported by 1 leg with Disc Base. The Disc Base is required for Stability as the D side of the top is deeper than 30".

K-DB1/WB2-KP6048	60W x 48D Peninsula table, 1 leg Disc Base, for wall connection	\$1583
K-DB1/WB2-KP7248	72W x 48D Peninsula table, 1 leg Disc Base, for wall connection	\$1774

2 LEG/DISC BASE RECTANGULAR TABLE

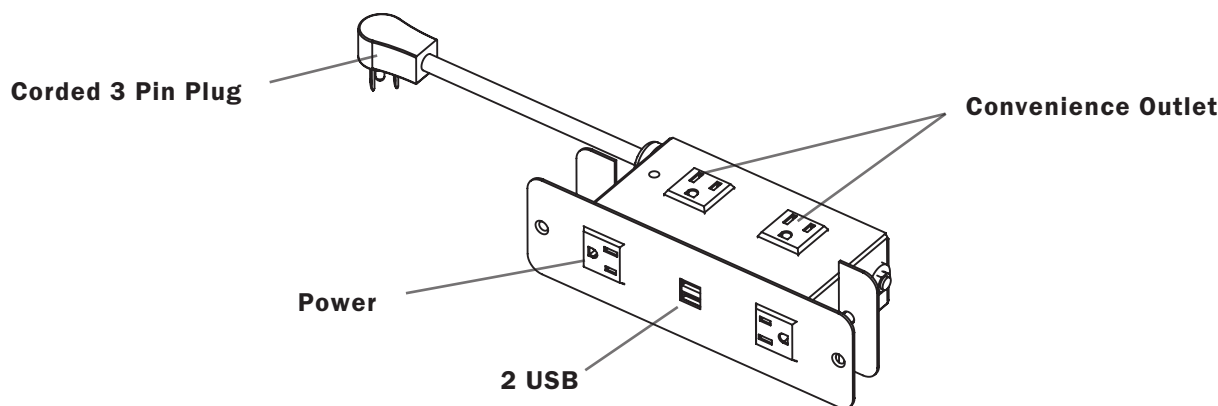
Freestanding with 2 legs, each with x 22" disc bases. Disc bases suggested for use with Banquette Seating to eliminate table leg interference

K-DB2-K4830	48W x 30D Table, 2 Disc Bases	\$1352
K-DB2-K6030	60W x 30D Table, 2 Disc Bases	\$1463
K-DB2-K7230	72W x 30D Table, 2 Disc Bases	\$1549
K-DB2-K9030	90W x 30D Table, 2 Disc Bases	\$1813

POWER & DATA

CORE - SCREW MOUNTED

	Model Number	Size	Description	Price
	JX-COV21SS144	5.75"	2 power, 1 convenience outlet, 144" cable corded, silver	\$398
	JX-COV2USS144	6.50"	2 power, 2 USB, 144" cable corded, silver	\$535
	JX-COV22USS144	8.50"	2 power, 2 convenience outlet, 2 USB, 144" cable corded, silver	\$699
	JX-DP/PWB8-180		Power Bar, 8 Outlets 180" Cord	\$195



UPHOLSTERY MATERIALS

Dauphin provides many different qualities of fabrics, vinyls and leathers. For up-to-date color selection and complete specifications, visit our website at www.dauphin.com, refer to the appropriate fabric card or contact our Customer Service Department at 800.631.1186 or inquire@dauphin.com

Grade A			
Forte: by Mayer	Fiber Content: 100% Polyester Width: 54" Weight: 13.8 oz./Linear Yd Abrasion Rating: Exceeds 183,000 Double Rubs Lightfastness: Class 4-5, 60 hours	Finish: Water & Stain Repellent Cleanability: W/S Approx Repeat: None Flammability: CA Bulletin 117; UFAC Class 1; BIFMA Class 1; ASTM E84	Colors See Dauphin Grade A Fabric Card
Grade B			
Canter: by Momentum	Fiber Content: 100% Polyurethane/PVC Width: 54" Backing: PVC-Free Polyester Knit Abrasion Rating: 102,000 Lightfastness: 40 Hrs., Class 4.5	Finish: Anti-Microbial, Anti-Bacterial Cleanability: L Approx Repeat: None Flammability: CA Bulletin 117; Sec. E, UFAC Class 1, NFPA 260 Class 1	Colors See Dauphin Reduced Environmental Impact Fabric Selections Card
Grade C			
Florentino: by Mayer	Fiber Content: 100% Vinyl Width: 54" Weight: 28 oz./Linear Yd. Abrasion Rating: Exceeds 100,000 Double Rubs Lightfastness: Class 4-5, 60 hours	Finish: Resilience (see rear of fabric card) Cleanability: W/S Approx Repeat: None Flammability: CA Bulletin 117 NFPA 260 (Equivalent to UFAC); BIFMA FMVSS; IMO A.65.2	Colors See Dauphin Grade C Fabric Card
Axis: by Momentum	Fiber Content: 65% Post Industrial Recycled Polyester, 35% Post Consumer Recycled Polyester Width: 54" Backing: Acrylic Abrasion Rating: 90,000 Lightfastness: 60 Hrs., Class 4.5	Finish: Soil & Stain Resistant Cleanability: W/S Weight: .69/linear Yd. Approx Repeat: 1.25"L x 1.25"W Flammability: CA Bulletin 117; Sec. E, UFAC Class 1	Colors See Dauphin Reduced Environmental Impact Fabric Selections Card
Beeline: by Momentum	Content: 100% Polyurethane/PVC Free Width: 54" Weight: 21.12 oz./Linear Yd. Backing: Polyester Abrasion Rating: 500,000 Double Rubs	Finish: Anti-microbial, Anti-bacterial Cleanability: W - Bleach Cleanable (4:1) Approx Repeat: None Directional: No Shown Railroaded: No	Colors See Dauphin Grade C Fabric Card
Cover Cloth: by Momentum	Content: 100% Polyester Width: 59" Backing: None Abrasion Rating: 200,000 Double Rubs	Finish: Crypton Cleanability: W - Bleach Cleanable (10:1) Weight: 14.08 oz./linear Yd. Approx Repeat: None Directional: No Shown Railroaded: No	Colors See Dauphin Reduced Environmental Impact Fabric Selections Card
Impact: by Momentum	Fiber Content: 65% Post Industrial Recycled Polyester, 35% Post Consumer Recycled Polyester Width: 54" Backing: Acrylic Abrasion Rating: 90,000 Lightfastness: 60 Hrs., Class 4.5	Finish: Soil & Stain Resistant Cleanability: W/S Weight: .69/linear Yd. Approx Repeat: 1.5"L x 1.5"W Flammability: CA Bulletin 117; Sec. E, UFAC Class 1	Colors See Dauphin Reduced Environmental Impact Fabric Selections Card
Bar: by Maharam	Content: 60% Post-Consumer Recycled Polyester, 40% Post-Industrial Recycled Polyester Width: 59" Weight: 13.5 oz/Linear Yd. Backing: Acrylic Abrasion Rating: 60,000 double rubs Lightfastness: 40+ hours	Finish: PFOA-Free Stain Resistant Cleanability: W/S/B Approx Repeat: 5" V, 4 3/4" H Flammability: Meets California Bulletin # 117-2013, NFPA 260	Colors See Dauphin Value Reference™ 5 Card
Coin: by Maharam	Content: 43% Polyester, 37% Post-Industrial Recycled Polyester, 20% Post-Consumer Recycled Polyester Width: 57" Weight: 12.7 oz/Linear Yd. Backing: Acrylic Abrasion Rating: 100,000 double rubs Lightfastness: 40+ hours	Finish: PFOA-Free Stain Resistant Cleanability: W/S/B Approx Repeat: 5 1/2" V, 5" H Flammability: Meets California Bulletin # 117-2013, NFPA 260	Colors See Dauphin Value Reference™ 5 Card
Disc: by Maharam	Content: 100% Polyester Width: 57" Weight: 13 oz/Linear Yd. Backing: Acrylic Abrasion Rating: 100,000 double rubs Lightfastness: 40+ hours	Finish: PFOA-Free Stain Resistant Cleanability: W/S/B Approx Repeat: 4 1/2" V, 4 3/4" H Flammability: Meets California Bulletin # 117-2013, NFPA 260	Colors See Dauphin Value Reference™ 5 Card

UPHOLSTERY MATERIALS

Grade C (cont.)

Divide: by Maharam	Content: 45% Polyester, 36% Post-Industrial Recycled Polyester, 19% Post-Consumer Recycled Polyester Width: 57" Weight: 12.8 oz/Linear Yd. Backing: Acrylic Abrasion Rating: 60,000 double rubs Lightfastness: 40+ hours	Finish: PFOA-Free Stain Resistant Cleanability: W/S/B Approx Repeat: 4 1/2" V, 4 3/4" H Flammability: Meets California Bulletin # 117-2013, NFPA 260	Colors See Dauphin Value Reference™ 5 Card
Oblique: by Maharam	Content: 100% Polyester Width: 58" Weight: 12.2 oz/Linear Yd. Backing: Acrylic Abrasion Rating: 100,000 double rubs Lightfastness: 40+ hours	Finish: PFOA-Free Stain Resistant Cleanability: W/S/B Approx Repeat: 6" V, 5" H Flammability: Meets NFPA 260	Colors See Dauphin Value Reference™ 5 Card
Pick: by Maharam	Content: 100% Polyester Width: 58" Weight: 11.9 oz/Linear Yd. Backing: Acrylic Abrasion Rating: 100,000 double rubs Lightfastness: 40+ hours	Finish: PFOA-Free Stain Resistant Cleanability: W/S/B Approx Repeat: 5" V, 2 1/2" H Flammability: Meets California Bulletin # 117-2013, NFPA 260	Colors See Dauphin Value Reference™ 5 Card
Technic: by Maharam	Content: 60% Post-Industrial Recycled Polyester, 40% Post-Consumer Recycled Polyester Width: 56" Weight: 12.9 oz/Linear Yd. Backing: Acrylic Abrasion Rating: 90,000 double rubs Lightfastness: 40+ hours	Finish: PFOA-Free Stain Resistant Cleanability: W/S/B Approx Repeat: None Flammability: Meets NFPA 260	Colors See Dauphin Value Reference™ 5 Card
Technic: by Maharam	Content: 60% Post-Industrial Recycled Polyester, 40% Post-Consumer Recycled Polyester Width: 56" Weight: 12.9 oz/Linear Yd. Backing: Acrylic Abrasion Rating: 90,000 double rubs Lightfastness: 40+ hours	Finish: PFOA-Free Stain Resistant Cleanability: W/S/B Approx Repeat: None Flammability: Meets NFPA 260	Colors See Dauphin Value Reference™ 5 Card
Manner: by Maharam	Content: 65% Post-Industrial Recycled Polyester, 35% Post-Consumer Recycled Polyester Width: 54" Weight: 16.9 oz/Linear Yd. Backing: None Abrasion Rating: 300,000 double rubs Lightfastness: 40+ hours	Finish: PFOA-Free Stain Resistant Cleanability: W/S Approx Repeat: None Flammability: Meets NFPA 260	Colors See Dauphin Manner, Medium, Messenger, Metric Card
Medium: by Maharam	Content: 100% Polyester Width: 54" Weight: 16.4 oz/Linear Yd. Backing: None Abrasion Rating: 220,000 double rubs Lightfastness: 40+ hours	Finish: PFOA-Free Stain Resistant Cleanability: W/S Approx Repeat: None Flammability: Meets NFPA 260	Colors See Dauphin Manner, Medium, Messenger, Metric Card
Messenger: by Maharam	Content: 78% Post-Industrial Recycled Polyester, 15% Polyester, 7% Nylon Width: 54" Weight: 14.2 oz/Linear Yd. Backing: None Abrasion Rating: 100,000 double rubs Lightfastness: 40+ hours	Finish: PFOA-Free Stain Resistant Cleanability: W/S/B Approx Repeat: 2 1/4" V, 3" H Flammability: Meets NFPA 260	Colors See Dauphin Manner, Medium, Messenger, Metric Card
Metric: by Maharam	Content: 51% Post-Industrial Recycled Polyester, 49% Polyester Width: 54" Weight: 15 oz/Linear Yd. Backing: None Abrasion Rating: 100,000 double rubs Lightfastness: 40+ hours	Finish: PFOA-Free Stain Resistant Cleanability: W/S Approx Repeat: None Flammability: Meets NFPA 260	Colors See Dauphin Manner, Medium, Messenger, Metric Card
Spacer Mesh: by Mayer	Content: 100% Polyester Width: 54" Weight: 16 oz/Linear Yd. Backing: None Abrasion Rating: 1,200,000 double rubs Lightfastness: 40+ hours	Finish: PFOA-Free Stain Resistant Cleanability: W/S/B Approx Repeat: None Flammability: Cal 117-2013; Cal 117 Section E; NFPA 260 (Equiv. to UFAC) Class 1; ASTM E84 Class 1 or A (Unadhered); FMVSS 302	Colors See Dauphin Spacer Mesh Card

UPHOLSTERY MATERIALS

Grade D

Element: by Momentum	Fiber Content: 65% Bamboo, 32% Post Consumer Recycled Polyester Width: 54" Weight: 1.19 oz./Linear Yd. Abrasion Rating: 138,000 Lightfastness: 40 Hrs., Class 4	Finish: InCase Fabric Protection Cleanability: W/S Approx Repeat: None Flammability: CA Bulletin 117 Sec. E, UFAC Class 1, NFPA 260 Class 1	Colors See Dauphin Reduced Environmental Impact Fabric Selections Card
Redux: by Momentum	Fiber Content: 65% Post Industrial Recycled Polyester, 35% Post Consumer Recycled Polyester Width: 56" Weight: .60 oz./Linear Yd Abrasion Rating: 100,000 Lightfastness: 40 Hrs., Class 4.5	Finish: Crypton Green Cleanability: W Approx Repeat: .5"L x .5"W Flammability: CA Bulletin 117 Sec. E, UFAC Class 1, NFPA 260 Class 1	Colors See Dauphin Reduced Environmental Impact Fabric Selections Card
Blazer: by Camira	Content: 100% Pure New Wool, Non-Metallic Dyestuffs. Width: 54" minimum Weight: 20.25 oz./Linear Yd. Backing: None Abrasion Rating: 50,000 Martindale Cycles Lightfastness: 40 hours	Finish: None Cleanability: S Approx Repeat: None Flammability: CA Bulletin 117, Section E UFAC Class 1, BS 7176:2007 Low Hazard	Colors See Dauphin Wool Fabric Selections Card
Hebden: by Camira	Content: 60% Pure New Wool, 40% Hemp Width: 54" minimum Weight: 20.5 oz./Linear Yd. Backing: None Abrasion Rating: 50,000 Martindale Cycles Lightfastness: 40 hours	Finish: None Cleanability: S Approx Repeat: 9" V, 6" H Flammability: CA Bulletin 117, Section E UFAC Class 1, BS 7176:2007 Low Hazard BS 7176:2007 Medium Hazard	Colors See Dauphin Wool Fabric Selections Card
Hemp: by Camira	Content: 60% Pure New Wool, 40% Hemp Width: 54" minimum Weight: 20.5 oz./Linear Yd. Backing: None Abrasion Rating: 50,000 Martindale Cycles Lightfastness: 40 hours	Finish: None Cleanability: Vacuum Regularly. Dry Clean or Wipe Clean with a Damp Cloth Approx Repeat: 9" V, 6" H Flammability: CA Bulletin 117, Section E UFAC Class 1, BS 7176:2007 Low Hazard BS 7176:2007 Medium Hazard	Colors See Dauphin Wool Fabric Selections Card
Row: by Momentum	Content: 100% Polyurethane/PVC Free Width: 54" Weight: 14.08 oz./Linear Yd. Backing: Polyester Abrasion Rating: 500,000 Double Rubs	Finish: Anti-microbial, Anti-bacterial Cleanability: W- Bleach Cleanable (4:1) Approx Repeat: None Directional: No Shown Railroaded: Yes	Colors See Dauphin Wool Fabric Selections Card

Grade E

Sting: by Camira	Content: 75% Pure New Wool, 25% Nettle Fibre Width: 54" Weight: 23.5 oz./Linear Yd. Backing: None Abrasion Rating: 50,000 Martindale Cycles Lightfastness: 40 hours	Finish: None Cleanability: S Approx Repeat: None Flammability: CA Bulletin 117, Section E UFAC Class 1, BS 7176:2007 Low Hazard BS 7176:2007 Medium Hazard	Colors See Dauphin Wool Fabric Selections Card
-----------------------------	------------------------------------------------------------------------------------------------------------------------------------------------------------------------------------	---------------------------------------------------------------------------------------------------------------------------------------------------------------------------	----------------------------------------------------------

Grade F

Silica: by Momentum	Fiber Content: 51% Silicon, 49% Polyester Width: 54" Weight: 1.63./Linear Yd. Abrasion Rating: 365,000 Lightfastness: 200 Hrs., Class 4.5	Finish: InCase Fabric Protection Cleanability: W/S Approx Repeat: None Flammability: CA Bulletin 117 Sec. E, UFAC Class 1, NFPA 260 Class 1	Colors See Dauphin Reduced Environmental Impact Fabric Selections Card
--------------------------------	-------------------------------------------------------------------------------------------------------------------------------------------------------	------------------------------------------------------------------------------------------------------------------------------------------------------	----------------------------------------------------------------------------------

Vinyls

Lariat: by Maharam	Content: 100% Vinyl Width: 54" Weight: 32.4 oz./Linear Yd. Backing: Polyester Abrasion Rating: 140,000 double rubs Lightfastness: 40+ hours	Finish: None Cleanability: W/B Approx Repeat: None Flammability: Meets NFPA 260	Colors See Dauphin Lariat Card
-------------------------------	------------------------------------------------------------------------------------------------------------------------------------------------------------	------------------------------------------------------------------------------------------	------------------------------------------

Grade J/Leather

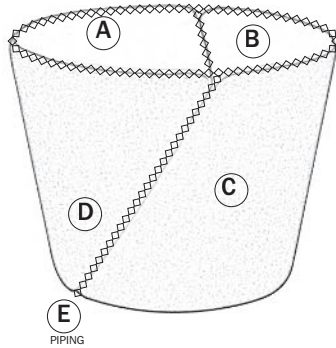
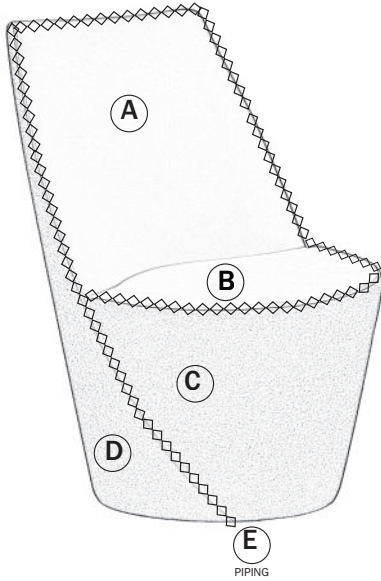
Hampton: by Helvetia	Content: 100% Cowhide Average Hide Size: 50 Square Ft. Thickness: 1.0-1.2 mm Light Fastness: (AATCC Method 16, Option E) 4 Tear Strength: (ASTM D4705) 25 lbs. Breaking Force: (ASTM D2208) 175 lbs.	Finish: Protective Finish by Nature of the Tanning Process Cleanability: Mild, Non-Detergent Cleaner, Minimal Water Flammability: Cal Bulletin 117, NFPA 260 Class 1	Colors See Dauphin Hampton Leather Selections Card
---------------------------------	---------------------------------------------------------------------------------------------------------------------------------------------------------------------------------------------------------------------	----------------------------------------------------------------------------------------------------------------------------------------------------------------------------	--------------------------------------------------------------

Graded-In Fabrics

Dauphin will grade in any fabric at your request. Please contact our Customer Service Department at 800.631.1186 or inquire@dauphin.com

MULTI-FABRIC SPECIFICATION

ASPETTA LOUNGE CHAIR & OTTOMAN



Baby Aspetta

One Color	1.5 yds./27 sq. ft.
A+B	1 yd./18 sq. ft.
C+D	1 yd./18 sq. ft.
A	0.75 yd./14 sq. ft.
B	0.55 yd./10 sq. ft.
C	0.45 yd./8 sq. ft.
D	1 yd./18 sq. ft.
E	0.5 yd./9 sq. ft.

Aspetta Lounge Chair

One Color	3 yds./54 sq. ft.
A+B	1.2 yd./22 sq. ft.
C+D	2 yds./36 sq. ft.
A	1 yd./18 sq. ft.
B	1 yd./18 sq. ft.
C	1 yd./18 sq. ft.
D	1.25 yds./23 sq. ft.
E	0.5 yd./9 sq. ft.

Aspetta Ottoman or Round Table

One Color	2 yds./36 sq. ft.
A+B	1 yd./18 sq. ft.
C+D	1.3 yds./23 sq. ft.
A	0.7 yd./13 sq. ft.
B	0.6 yd./11 sq. ft.
C	0.8 yd./14 sq. ft.
D	0.8 yd./14 sq. ft.
E	0.5 yd./9 sq. ft.

Aspetta Writing Table

one color	1 yd./18 sq. ft.
-----------	------------------

Aspetta Lounge Chair:

A: _____

B: _____

C: _____

D: _____

E/PIPING: _____

Ottoman or Round Table:

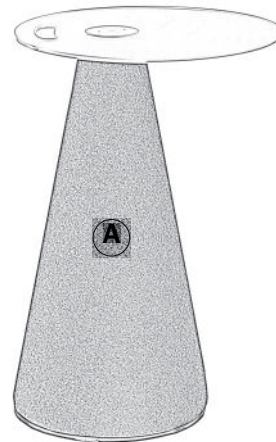
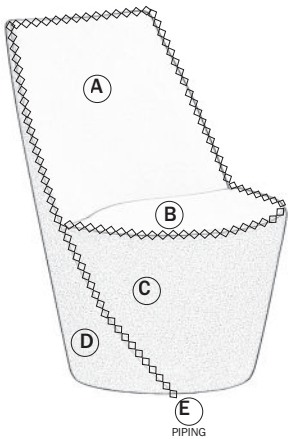
A: _____

B: _____

C: _____

D: _____

E/PIPING: _____



Baby Aspetta Chair:

A: _____

B: _____

C: _____

D: _____

E/PIPING: _____

Writing Table:

A: _____

MULTI-FABRIC SPECIFICATION

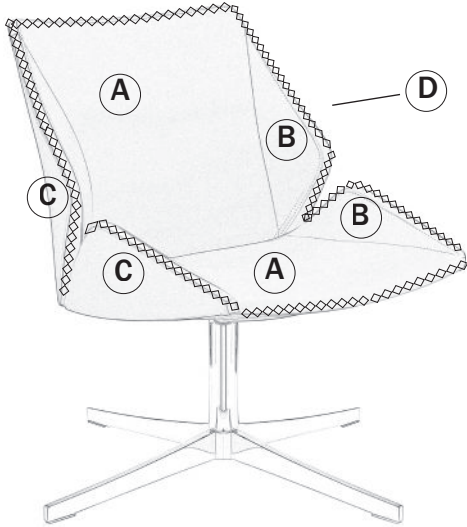
4+ LOUNGE OR CONFERENCE CHAIR & FOOT STOOL

4+ Chair Lounge or Conference

One Color	2.2 yds./40 sq. ft.
A	1 yd./18 sq. ft.
B	0.5 yd./9 sq. ft.
C	0.5 yd./9 sq. ft.
D	1 yd./18 sq. ft.

4+ Foot Stool

One Color	1 yd./18 sq. ft.
A	0.75 yd./14 sq. ft.
B	0.5 yd./9 sq. ft.
C	0.5 yd./9 sq. ft.
D	.28 yd./5 sq. ft.



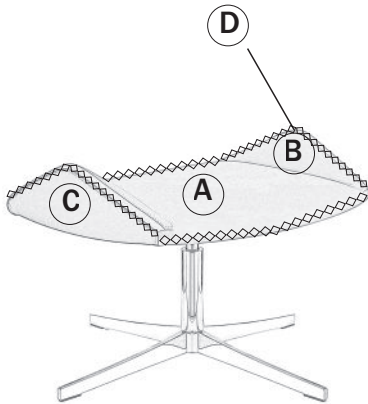
4+ Chair:

A: _____

B: _____

C: _____

D: _____



Foot Stool:

A: _____

B: _____

C: _____

D: _____

COM/COL FORM

Check with Customer Service to ascertain if your COM/COL is required to be submitted for testing prior to submission for upholstery.

For fabrics with less than 54" width, or repeat patterns over 4" please apply the following yardage requirements:

49" - 52" wide add 10%	Repeat 4"-9" add 15%
44" - 48" wide add 15%	Repeat 10" - 13" add 20%
	Repeat 14" - 20" add 25%

If special placement of COM is required (e.g. matching of stripes on seat and back, centering of a design motif) please submit a memo sample and design sketch for COM calculation purposes. Additional fabric and a surcharge for labor may be required.

Note: COL is based on minimum hide size 50 sq ft.

COM/COL SPECIFYING PROCESS

Many fabrics have intricate patterns and not all individuals will interpret fabric direction in the same manner.

Dauphin cuts fabrics off the roll as Shown in the drawing labeled Standard Process. The COM requirements listed for each chair are based on this cutting method. Directional or patterned fabrics may often require more yardage than solid colors.

Lounge Chair fabric and leather will appear loose with comfort wrinkles when upholstered and over time. Leather upholstery will usually require additional sewing seams.

Upholstery is standard off the roll. All COM/COL is subject to final approval by Dauphin upon receipt of samples. Send samples and a copy of this form to:

**Dauphin
100 Fulton Street
Boonton, NJ 07005**

COM/COL Info Form

A copy of this form must accompany COM/COL sample swatches and production orders.

Date _____

Dauphin Dealer _____

Dealer's Address _____

Contact Name _____

Client/Project Name or Number _____

Dealer's Purchase Order Number/Item # _____

Dauphin's Acknowledgement Number, if order has been acknowledged _____

For Customer Service Use ONLY

Date _____

Customer Service Rep _____

Work Order # _____

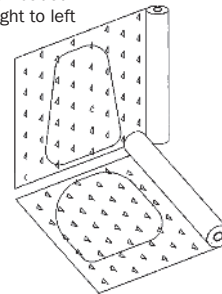
Submitted for Test Test Approved/Production Ready

If rejected, give reason: _____

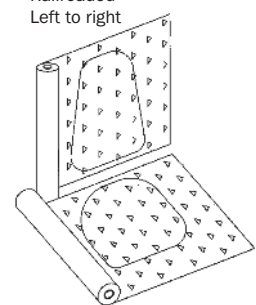
Check one of the following boxes:

- Solid (upholster as described above)
- Non-directional pattern (upholster as described above)
- Upholster as indicated below (circle one)

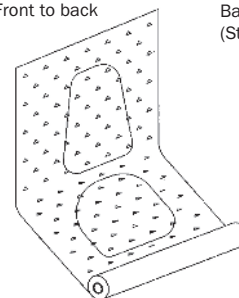
Railroaded
Right to left



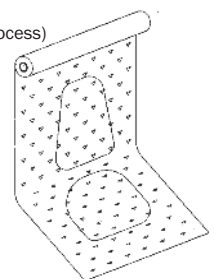
Railroaded
Left to right



Front to back



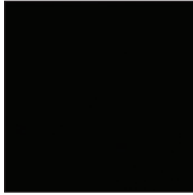
Back to front
(Standard Process)



This form must be completed and submitted to Dauphin with each COM/COL sample swatch.

DAUPHIN

Eddy Poly Finishes



200 Black



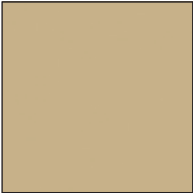
700 Gray



800 Red



900 Blue



003 Beige



042 White

Open End Poly Finishes



06 Black



40 Cobalt

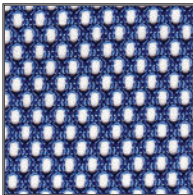


41 Gray

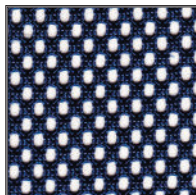


42 White

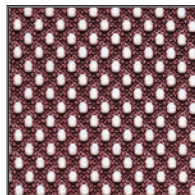
Attimo Mesh Colors



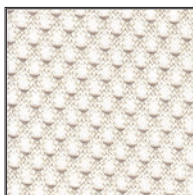
4109 Sky Blue



4102 Midnight Blue



4112 Latte



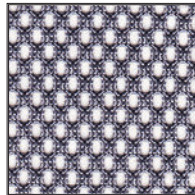
4182 Stucco



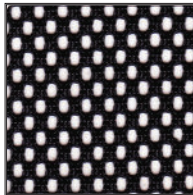
4111 Biscuit



4110 White



4104 Silver Gray



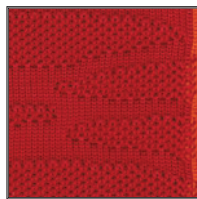
4101 Black

FINISHES

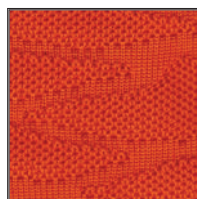
X-Code Mesh Colors



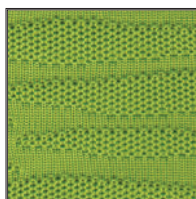
4347 Brown



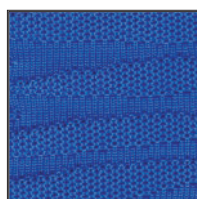
4345 Red



4346 Orange



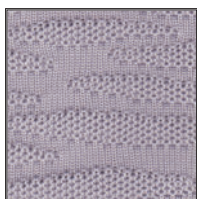
4348 Green



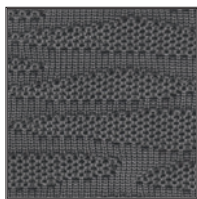
4344 Royal Blue



4343 Dark Blue



4342 Light Gray



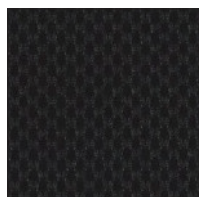
4341 Dark Gray



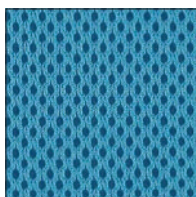
4340 Black

Soft Knit Mesh with Foam Backing

Spacer



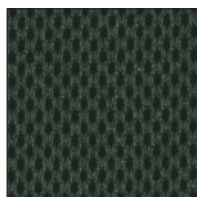
Black



Caribbean



Cayenne



Hunter



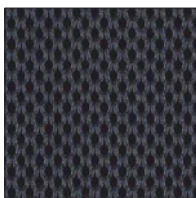
Ink



Mocha



Paprika



Pewter



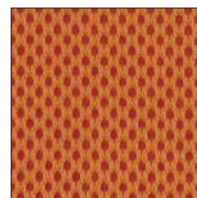
Sapphire



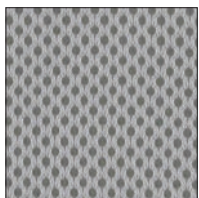
Sky



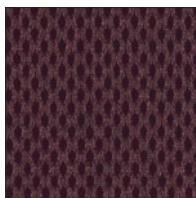
Limelight



Marigold

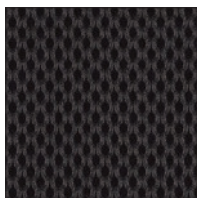


Sterling



Wine

Other



Charcoal

Charcoal only available for Aiko.

Riola Knit Colors

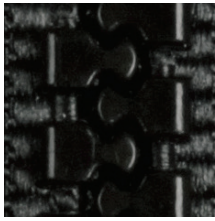


Black

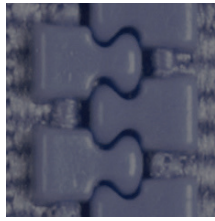


Dark Brown

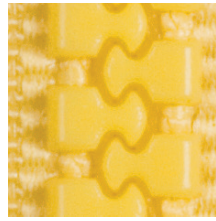
Bobo & Little Perillo Zipper Options



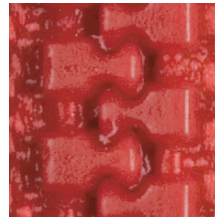
Black



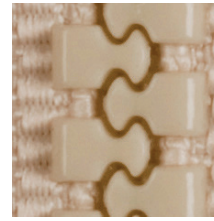
Blue



Yellow



Red



Beige



White

Wood Finishes



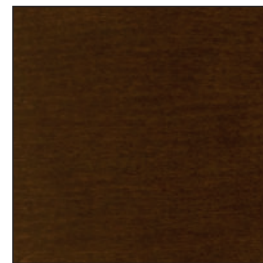
Natural Maple



Dark Walnut/Java



Light Mahogany/Brandy



Dark Mahogany/Cabernet

Coty Foot Options



Aleta



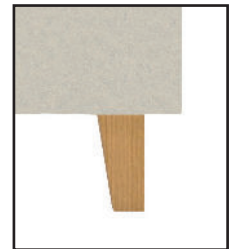
Avenue



Egbert



Indigo



Sidney

Arm Options for Task Chairs



DA27WA



DA44WA-100



DA74WA-100



HA2



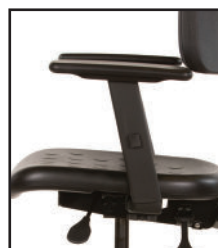
OM42WA



S025WA



S025WA-WH



AL10WA



X-code

TERMS & CONDITIONS

Ordering Information: Orders may be placed by fax, or e-mail. Fax: 800.220.3844 E-mail: inquire@dauphin.com All orders are subject to credit approval. Orders cancelled after production has been scheduled are subject to a 30% cancellation charge. Once orders have entered production, no cancellations will be accepted. No cancellations will be accepted for custom orders.

Prices: Prices are listed in US dollars (\$). Customers paying in Canadian dollars (\$) must refer to www.dauphin.com for the most current financial exchange surcharge. Prices are F.O.B. destination within the 48 contiguous United States, (Alaska, Hawaii, and Puerto Rico, please contact Customer Service for freight costs), or within the Provinces of Canada. For Canada, FOB will be to the City of the Canadian Dealership. Ownership passes to consignee F.O.B. our factory. Prices do not include storage or insurance charges, sales or other taxes, or inside delivery uncarting and installation costs. Prices and specifications are subject to change without notice and orders are subject to prices prevailing at the time of submission. Orders with extended delivery dates are subject to special pricing. Orders for non-warranty parts only are priced F.O.B. factory.

Special Delivery Requirements: Orders ship by UPS, FedEx, DHL or common carrier. If a specific delivery date and time is required, or if inside delivery is requested, a special delivery charge may be required. Please check with Customer Service to determine the relevant charge for each requirement. Shipments requiring carrier to "Call Before Delivery" will be subject to a minimum net additional charge of \$30. Re-consignment of freight after orders have been shipped will be subject to a net additional charge of \$95 and may be subject to other freight charges depending on destination. Shipments requiring a specific time and date of delivery are available, pricing available upon request.

Materials: Due to natural variations over which we have no control, all products are sold subject to normal variations or irregularities of color, surface grain or texture. In as much as fabric mills and tanneries do not guarantee their products, Dauphin shall not be held responsible for wear, fading or performance of any covering material beyond the stated warranty, and under no condition assumes responsibility for COM and COL. Minimum wrinkles in leather and some other fabrics cannot be completely avoided and are not considered defects in materials or workmanship. Some fabric and leather can appear loose with comfort wrinkles when upholstered and over time. Leather may require additional upholstery sewing seams.

- Customer's Own Material (COM/ COL):**
1. COM Yardage requirement is based on 54" wide covering material. If the pattern requires matching, please contact Customer Service with repeat dimensions for a calculation of additional yardage required and/or additional charge for matching.
 2. A completed copy of the COM/COL form must be submitted together with a fabric/leather swatch for each item ordered which requires non-Dauphin covering materials.
 3. Dauphin reserves the right to reject COM if it is considered unsuitable for upholstery.
 4. Lead times are effective from the date we receive COM.
 5. COM must be shipped freight prepaid to Dauphin, 100 Fulton St., Boonton, NJ 07005 and packages should be clearly marked with the following information:
 - Dealer's firm name and purchase order number.
 - Dauphin model number and quantity.

Specifications: Dauphin reserves the right to make changes in price, dimensions, design, and/or construction or to change terms and conditions without prior notice.

Dimensions: All dimensions are approximate.

Damages in Shipment: Product received in clearly damaged cartons should be refused. In the event that the shipment with damaged cartons is accepted, it should be signed for as "damaged freight". Please immediately contact Customer Service to report the damage. Documentation including digital pictures of any damage will be required for claim processing.

Returns Please contact Customer Service for approval of any return and to obtain a Return Authorization (RA) number. Returns will not be accepted without prior authorization. All merchandise will be inspected before credit is issued. Any merchandise found defective in material or workmanship by our Inspection Department will be repaired or replaced at our option. All returns are subject to a 30% restocking fee if not our error.

Storage: If a customer requests a delay of a shipping date on an order already in production, the order will be invoiced immediately upon completion. The invoice must be paid under normal terms. In addition, there will be a storage charge equal to 10% of the invoice per month until shipped. Dauphin warrants its products to be free from defects in material and workmanship for as long as the original customer owns and uses the product under normal single shift office conditions. If a product is defective, and if the written notice of the defect is given to Dauphin within the applicable warranty period, Dauphin, at its option, will replace the defective part or product with a comparable component or product. The lifetime warranty applies to all products and parts except as noted below:

Lifetime Warranty: Dauphin warrants its products to be free from defects in material and workmanship for as long as the original customer owns and uses the product under normal single shift office conditions. If a product is defective, and if the written notice of the defect is given to Dauphin within the applicable warranty period, Dauphin, at its option, will replace the defective part or product with a comparable component or product. The lifetime warranty applies to all products and parts except as noted below:

Item	Warranty Period
Seating Mechanisms & Other Moving Parts	10 years
Foam, Dauphin Fabrics and Upholstery Materials	3 years
Fluid-Motion Back Cylinders	5 years
Stacking and Side Chair Frames	10 years
Lighting and Electrical	1 year

This warranty does not apply to defects from normal wear and tear, accidents, negligence, abuse, shipment, handling, storage or environmental conditions nor does it apply to "Customer's Own Materials" or to product not assembled in accordance with the assembly instructions. Also, this warranty does not apply to the labor to make good the defect in any manner. Defective product must be returned to Dauphin, at their request. Any modifications to our products made by the purchaser, purchaser's employees or agents, voids this warranty. All claims under this warranty must be made by the original purchaser within 30 days of alleged defect. This warranty is the customer's sole remedy for product defect. No other expressed or implied warranty is provided. Dauphin is not responsible for any consequential, economic or incidental damages arising from any product defect.

