

Destino Price List

June 1, 2019

Contract #GS-27F-033CA

GSA MOD #PO-0024

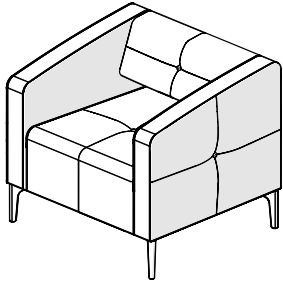
Contract effective date:

September 21, 2015 - September 2025

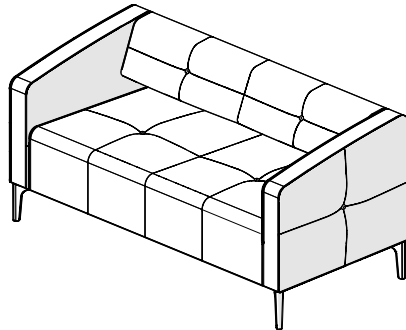
DAUPHIN

Destino

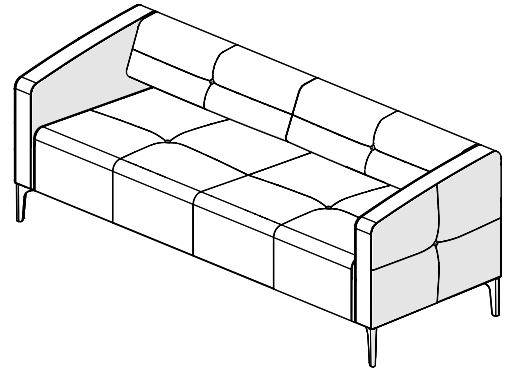
SIN: #33721



DE082



DE088



DE089

| Model # | Description | A/COM | B | C/COL | D | E | F | G | H | I | J/LTH |
|---------|--------------------------|--------|--------|--------|--------|--------|--------|--------|--------|--------|--------|
| DE082 | Single seat lounge chair | \$2277 | \$2375 | \$2572 | \$2769 | \$2966 | \$3163 | \$3360 | \$3557 | \$3751 | \$3951 |
| DE088 | Loveseat | \$3599 | \$3751 | \$4055 | \$4359 | \$4663 | \$4967 | \$5271 | \$5575 | \$5879 | \$6183 |
| DE089 | Sofa | \$4861 | \$5034 | \$5380 | \$5726 | \$6072 | \$6418 | \$6764 | \$7110 | \$7456 | \$7802 |

STANDARD SPECIFICATIONS

Construction

Full panel box construction using CARB compliant plywood.

Upholstery

Single color upholstery with option for buttons in different upholstery - see optional specifications

Legs

Black aluminum

OPTIONAL SPECIFICATIONS

| | | |
|---|---|-------|
| Upholstery of buttons in different fabric | Check fabric requirement with Customer Service | \$50 |
| Legs | Polished aluminum | \$100 |
| | Special order - check lead time with Customer Service | |
| Cal 133 fire code | Fire barrier applied under the upholstery | + 20% |

| COM/COL | | COM | COL | DIMENSIONS (IN INCHES) | | | | |
|---------|-----------------|------|---------|------------------------|------------|------------------------|-------------|-------------|
| | | Yd. | Sq. Ft. | Seat Height from Floor | Seat Width | Back Height from Floor | Total Width | Total Depth |
| DE082 | Completed Chair | 4.00 | 72 | 17 | 23 | 28 | 31 | 28 |
| DE088 | Completed Chair | 6.25 | 113 | 17 | 49 | 28 | 57 | 28 |
| DE089 | Completed Chair | 7.61 | 137 | 17 | 69 | 28 | 77 | 28 |