

# DAUPHIN

HumanDesign® Group



Flexible, comfortable, spontaneous, and super light—that's the definition of the new workday culture.

Designed to embrace those needs are the new Allora Poufs: stackable, upholstered poufs, available in a variety of materials, sizes, and colors.

# ALLORA POUFS

800-631-1186

[info@dauphin.com](mailto:info@dauphin.com)

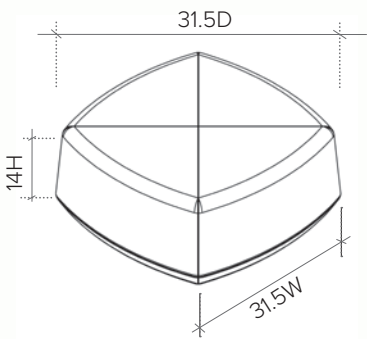
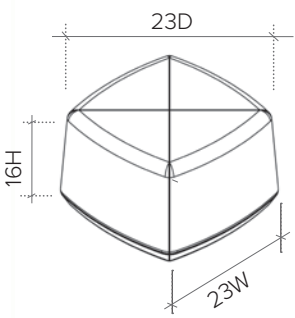
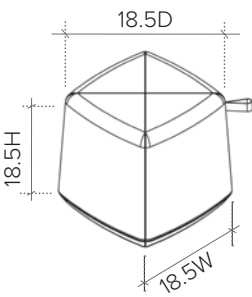
[www.dauphin.com](http://www.dauphin.com)

# ALLORA POUFS

## Specifications



*\*All dimensions are in inches*



### Features

- Black, non-slip, base
- Single and multi-color upholstery
- Carrying strap (only available on small)

