

Destino Price List

June 1, 2019

Contract #GS-27F-033CA

GSA MOD #PO-0024

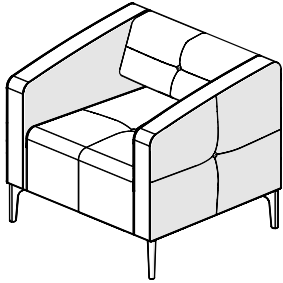
Contract effective date:

September 21, 2015 - September 2025

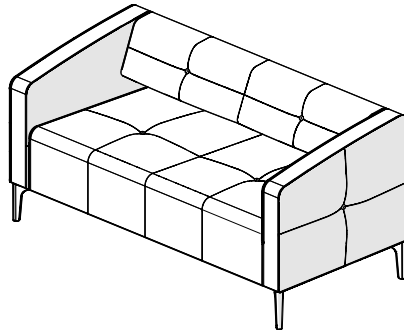
DAUPHIN

Destino

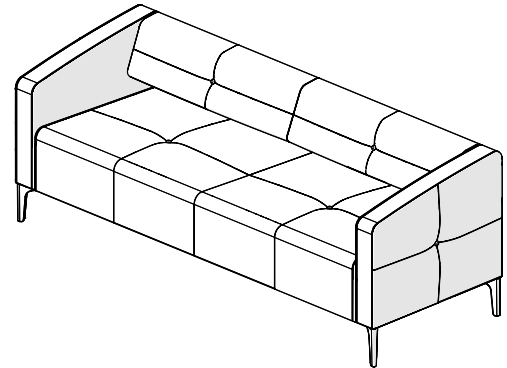
SIN: #33721



DE082



DE088



DE089

Model #	Description	A/COM	B	C/COL	D	E	F	G	H	I	J/LTH
DE082	Single seat lounge chair	\$2277	\$2375	\$2572	\$2769	\$2966	\$3163	\$3360	\$3557	\$3751	\$3951
DE088	Loveseat	\$3599	\$3751	\$4055	\$4359	\$4663	\$4967	\$5271	\$5575	\$5879	\$6183
DE089	Sofa	\$4861	\$5034	\$5380	\$5726	\$6072	\$6418	\$6764	\$7110	\$7456	\$7802

STANDARD SPECIFICATIONS

Construction

Full panel box construction using CARB compliant plywood.

Upholstery

Single color upholstery with option for buttons in different upholstery - see optional specifications

Legs

Black aluminum

OPTIONAL SPECIFICATIONS

Upholstery of buttons in different fabric

Check fabric requirement with Customer Service

\$50

Legs

Polished aluminum

\$100

Special order - check lead time with Customer Service

Cal 133 fire code

Fire barrier applied under the upholstery

+ 20%

COM/COL	Description	COM	COL	DIMENSIONS (IN INCHES)				
		Yd.	Sq. Ft.	Seat Height from Floor	Seat Width	Back Height from Floor	Total Width	Total Depth
DE082	Completed Chair	4.00	72	17	23	28	31	28
DE088	Completed Chair	6.25	113	17	49	28	57	28
DE089	Completed Chair	7.61	137	17	69	28	77	28